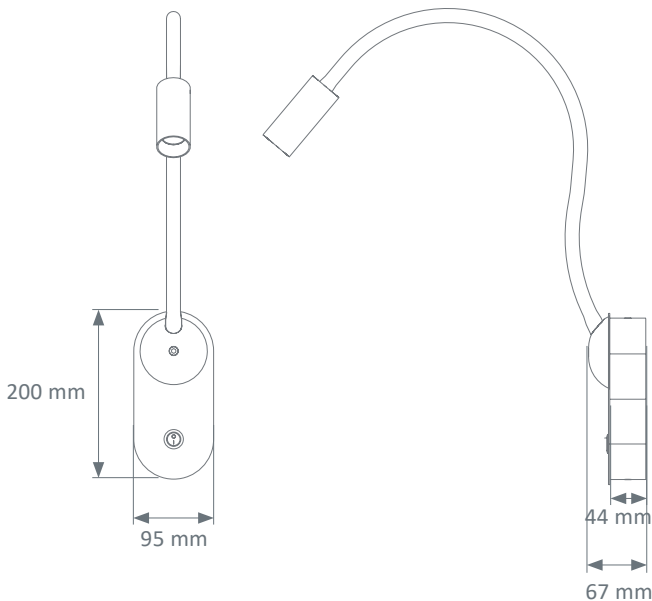




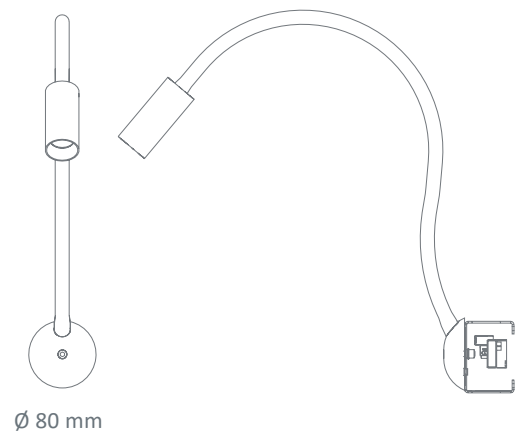
TECHNICAL FEATURES

- Semi-rigid flexible with \varnothing 16,5 mm PVC conduit, length : 640 mm
- Spot dimensions : \varnothing 40 mm
- PMMA* lens
- Control: external or switch
- Spot head in grey painted aluminum and natural anodized
- Net weight : 1,2 kg

Mounting on wall bracket



Mounting on bed head unit (Fluidys, Madeira, Medissima, Goodwood)



Lighting power

Lighting	Power	Types of sources	Color temperature	Luminous Flux ⁽¹⁾	Consumption	System Efficiency	Driver(s)	Efficiency energy class
General lighting	3,1 W	LED	4000 K	335 lm	4,9 W	68,1 lm/W	Fixed	

⁽¹⁾ All the luminous flux indicated in the brochure are based on the flux of the LED modules also known as system flux.

Luminaire output flux = (Module flux) x (optical efficiency), the optical efficiency of the luminaire is indicated in the Eulumdat file (LDT line 23) available for download on our website or on request.

* PMMA: Polymethyl methacrylate



* Energy Efficiency Index - All specifications here in are provided for information purposes only and may be modified by TLV without notice. (D) - Update (JJ/MM/AA) : 01/06/2022