



TECHNICAL FEATURES

The range STAGNO is suitable for operating rooms or clean rooms.

- Recessed luminaire for LED modules
- Depolished diffuser with MIRO 4 aluminum symmetric reflector for square and rectangular depolished versions
- Lay-in (LI)
- Lay-Out (LO) version offered with visible frame
- Easy mounting
- Powder painted white RAL 9003 housing
- Standard configuration CRI 90
- **New : available as option, UGR < 19 with microprismatic diffuser**

Driver(s)



Classifications



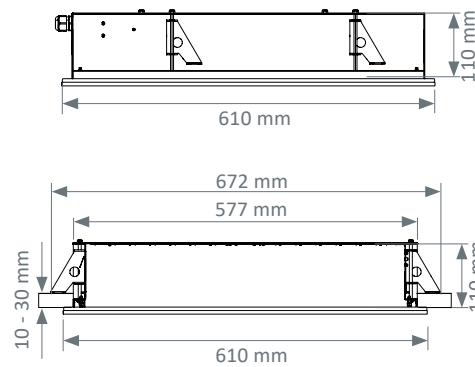
Sealed



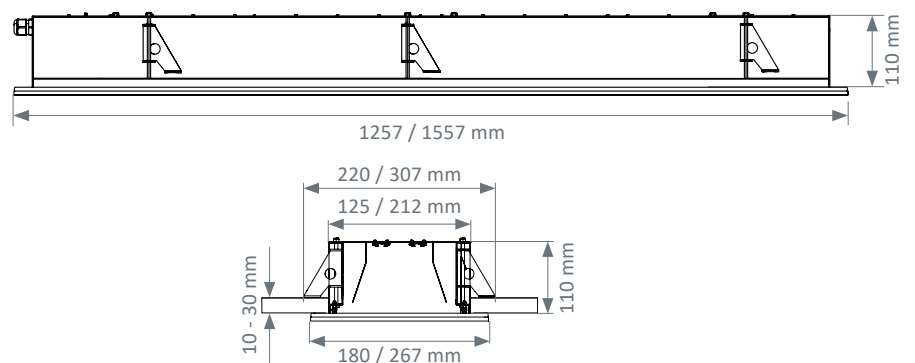
Available in 2 versions




Square frosted glass version



Rectangular depolished version












TECHNICAL FEATURES

LED	Item	Luminous flux	Color Temperature	CRI	Modules Power	Consumption	System Efficiency	Driver(s)	Efficiency energy class	Mounting	Reference
Square frosted glass version		5000 lm	4000 K	90	28,3 W	32,9 W	154,7 lm/W	Fixed Dali		LO	208490 208491
		5000 lm	4000 K	90	28,3 W	32,9 W	154,7 lm/W	Fixed Dali		LI	208500 208501
Rectangular depolished version mono 1200		4400 lm	4000 K	90	24,9 W (4 Ft)	29,3 W	149,07 lm/W	Fixed Dali		LO	208482 208483
Rectangular depolished version mono 1500		5500 lm	4000 K	90	35 W (5 Ft)	41,2 W	136,15 lm/W	Fixed Dali		LO	208486 208487
Rectangular depolished version duo 1200		8800 lm	4000 K	90	49,8 W (6 Ft)	57,5 W	151,86 lm/W	Fixed Dali		LO	208484 208485
Rectangular depolished version duo 1500		11000 lm	4000 K	90	69,2 W (8 Ft)	79,7 W	140,73 lm/W	Fixed Dali		LO	208488 208489

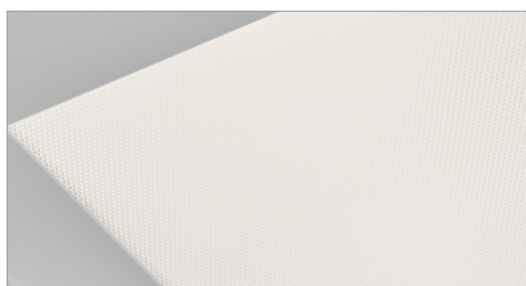
NEW

UGR <19 specific configurations (in 4H 8H 7 5 2)

Item	Luminous flux	Color Temperature	CRI	Modules Power	Consumption	System Efficiency	Driver(s)	Efficiency energy class	Mounting	Reference	
Square version		5000 lm	4000 K	90	28,3 W (4 Ft)	32,9 W	154,7 lm/W	Fixed Dali		LO	802163 802164
Square version		5000 lm	4000 K	90	23,5 W	32,9 W	154,7 lm/W	Fixed Dali		LI	802165 802166
Rectangular version mono 1200		4400 lm	4000 K	90	24,9 W (4 Ft)	29,3 W	149,07 lm/W	Fixed Dali		LO	802155 802156
Rectangular version mono 1500		5500 lm	4000 K	90	35 W (5 Ft)	41,2 W	136,15 lm/W	Fixed Dali		LO	802159 802160
Rectangular version duo 1200		8800 lm	4000 K	90	49,8 W (6 Ft)	57,5 W	151,86 lm/W	Fixed Dali		LO	802157 802158
Rectangular version duo 1500		11000 lm	4000 K	90	69,2 W (8 Ft)	79,7 W	140,73 lm/W	Fixed Dali		LO	802161 802162

⁽¹⁾ All the luminous flux indicated in the brochure are based on the flux of the LED modules also known as system flux.

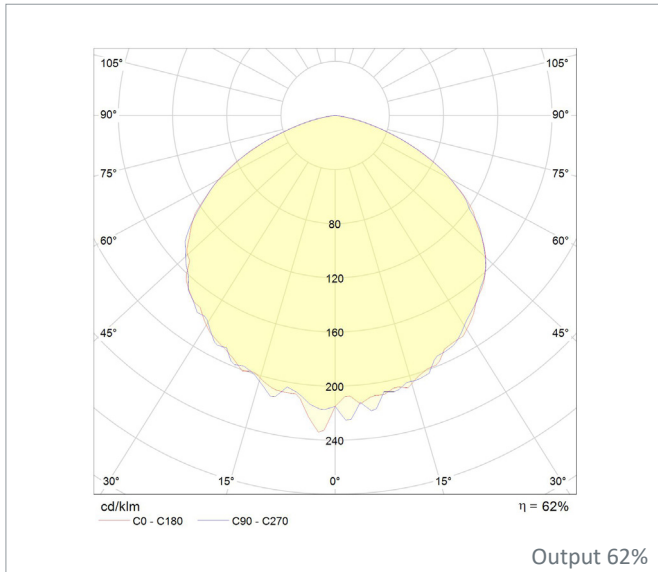
Luminaire output flux = (Module flux) x (optical efficiency), the optical efficiency of the luminaire is indicated in the Eulumdat file (LDT line 23) available for download on our website or on request.



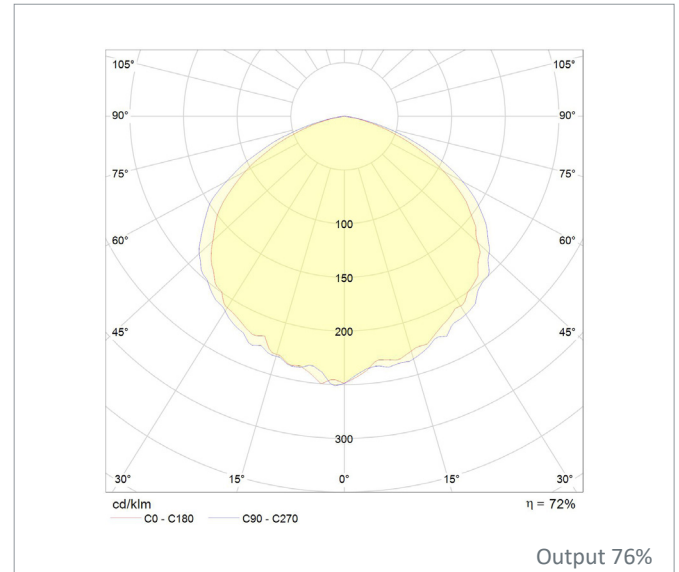
STAGNO with microprismatic diffuser UGR <19

HIGH-PERFORMANCE AND CONTROLLED LIGHTING

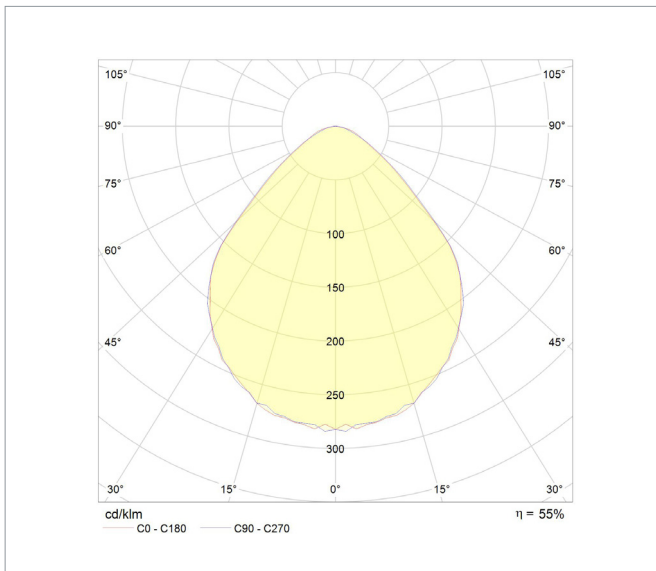
600x600 STAGNO



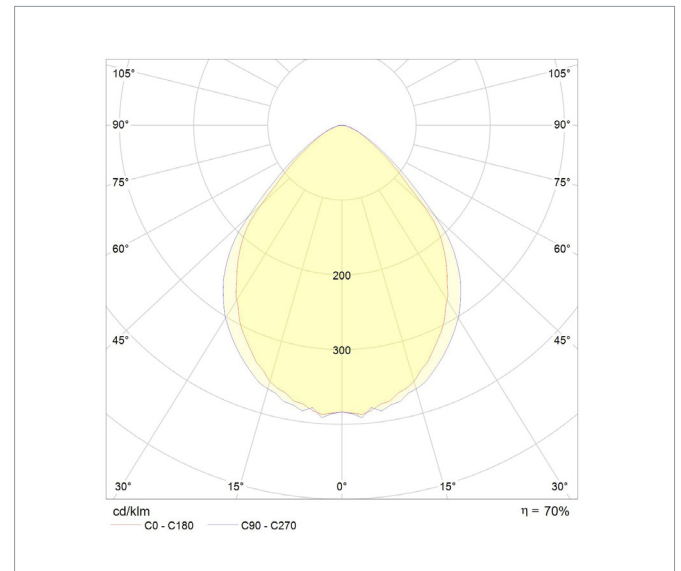
Duo rectangular STAGNO 1200



STAGNO microprismatic Square

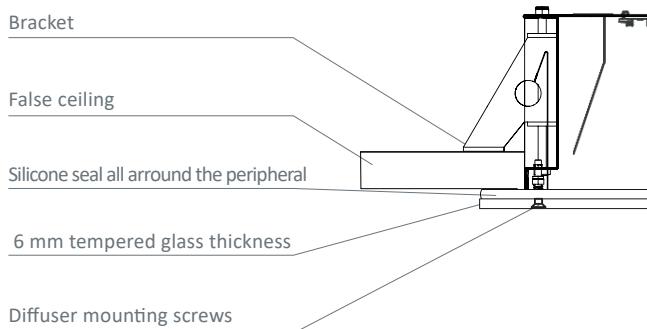


STAGNO microprismatic Rectangular Duo 1200



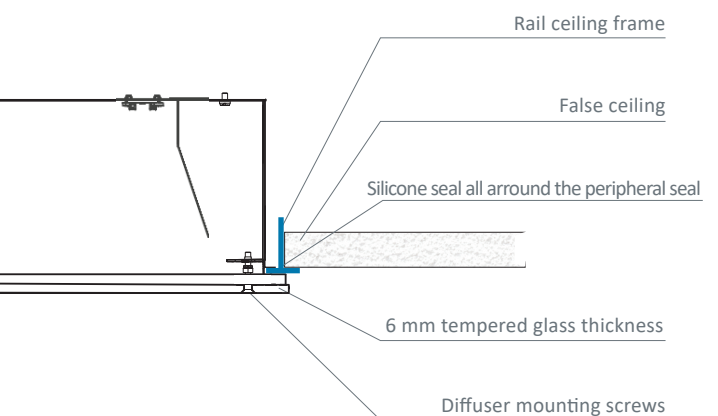
MOUNTING

Lay-Out (LO)



This type of installation requires to follow the recessed cut out dimensions of the luminaire.

Lay-In (LI)



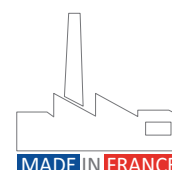
This mounting is made directly on 600 x 600 mm false ceiling.



Norms & recommendations

- EN ISO 9001 and EN ISO 13485: Quality management systems
- Low Voltage Directive (LVD) 2014/35/UE
- Directive 2014/30/UE: Electromagnetic Compatibility (EMC)
- CE Medical Devices Marking according to 93/42/EEC Directive
- EN 60598: Luminaires - Part 1: General requirements and tests - Part 2-25: Luminaires for use in clinical areas of hospitals and health care buildings
- Article EC5 safety regulation against the risks of fire and panic in public buildings
- European rules for caring centers lighting

Bed head units, Wall lighting units, Ceiling pendants, Suspended Beams & Columns,
Special care bed head units, Sealed lightings, Medical gas monitoring & Biomedical Accessories



* Energy Efficiency Index - All specifications here in are provided for information purposes only and may be modified by TLV without notice. (K) - Update: (LJ/MM/AA) : 21/02/2022