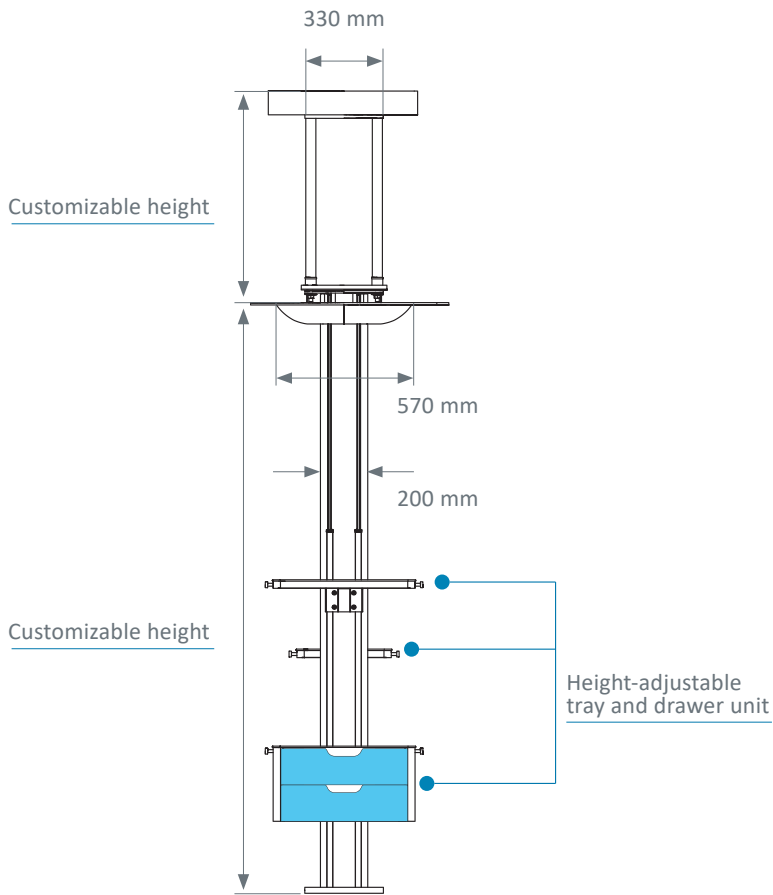


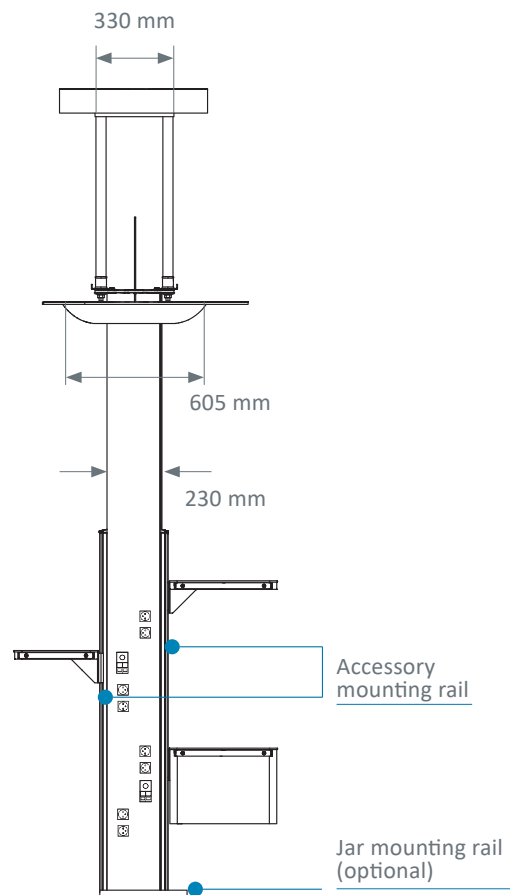


TECHNICAL CHARACTERISTICS

Front view



Side view



Colors

	White RAL 9016
MULTICARE EVOLUTION	●



EQUIPMENT

The MULTICARE EVOLUTION column is ideal for the distribution of medical gases and extra low/low voltage supplies in recovery rooms, intensive care units, resuscitation units, or other OT/ICU Resuscitation departments.

Its ergonomics makes it adaptable to the treatment area and optimizes access to the patient and the care team's work area.

Rails

Several pieces of biomedical equipment can be hung thanks to the accessories mounting rails, located on the front and back.



The column can incorporate an optional jar support, located at the bottom.



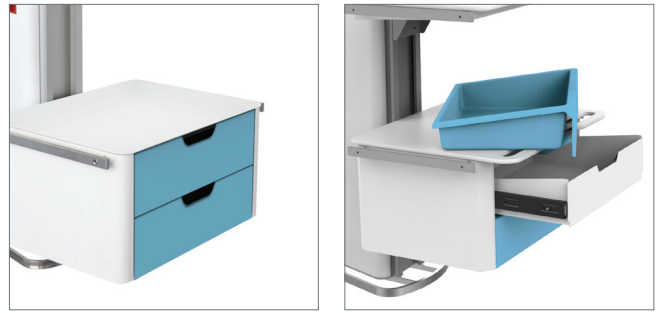
EQUIPMENT

The MULTICARE EVOLUTION column has a payload of 200 kg

Trays and drawers

The trays are designed to comply with the strictest standards concerning hygiene and durability. Their surface is made of compact material with white core (HPL).

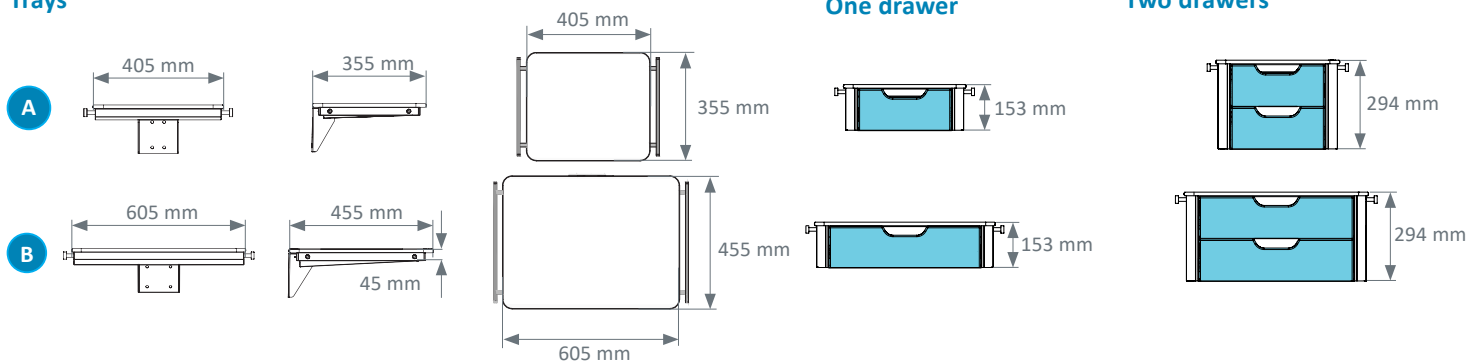
The tray units can accommodate one or two drawers made of antibacterial Kydex, and their height in the column is easy to adjust.



Load table

	TRAY DIMENSION	LOAD MAX
A	405 x 355 mm	40 kg
B	605 x 455 mm	60 kg

Trays



Extra tube system to hold accessories

This device clamps onto the vertical service head and makes it possible to hang main biomedical accessories.



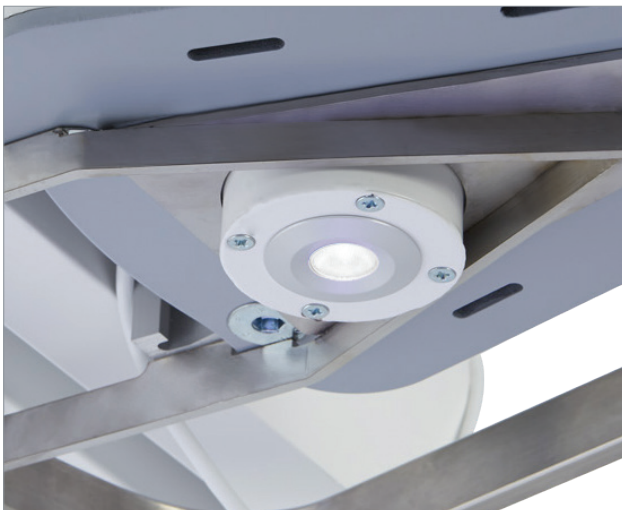
LIGHTING

The MULTICARE EVOLUTION column can incorporate the following optional equipment:

- Examination lighting mounted on an articulated arm, with maximum travel 1857 mm



- LED night light at the bottom (1.2 W)



- Treatment or minor surgery lighting mounted on an articulated arm, with maximum travel 1330 mm



- A FLEX-E LED spot reading light (anodized)





Norms & certifications

- EN ISO 9001 and EN ISO 13485: Quality management systems
- CE Medical Devices Marking according to 93/42/EEC Directive
- EN ISO 11197: Medical supply units
- EN ISO 7396-1: Medical gas pipeline systems - Part 1
- EN 60601-1: Medical electrical equipment - Part 1

Bed head units, Wall lighting units, Ceiling pendants, Suspended Beams & Columns,
Special care bed head units, Sealed lightings, Medical gas monitoring & Biomedical Accessories

