

FLUIDYS CONCEPT FOR AMBULATORY USE



+ Features and design

The concept combines design and ergonomics. It preserves the privacy and comfort of the patient while keeping the efficiency of work for the nursing staff.

+ Optimal efficiency of care teams

It can accommodate 4 patients simultaneously. The management of each is facilitated and offers speed in the monitoring of each patient.

+ Custom design

The partitions are entirely custom-made to take into account your needs and constraints about environment: solid color or wood, dimension of the partition, cutout shape ...

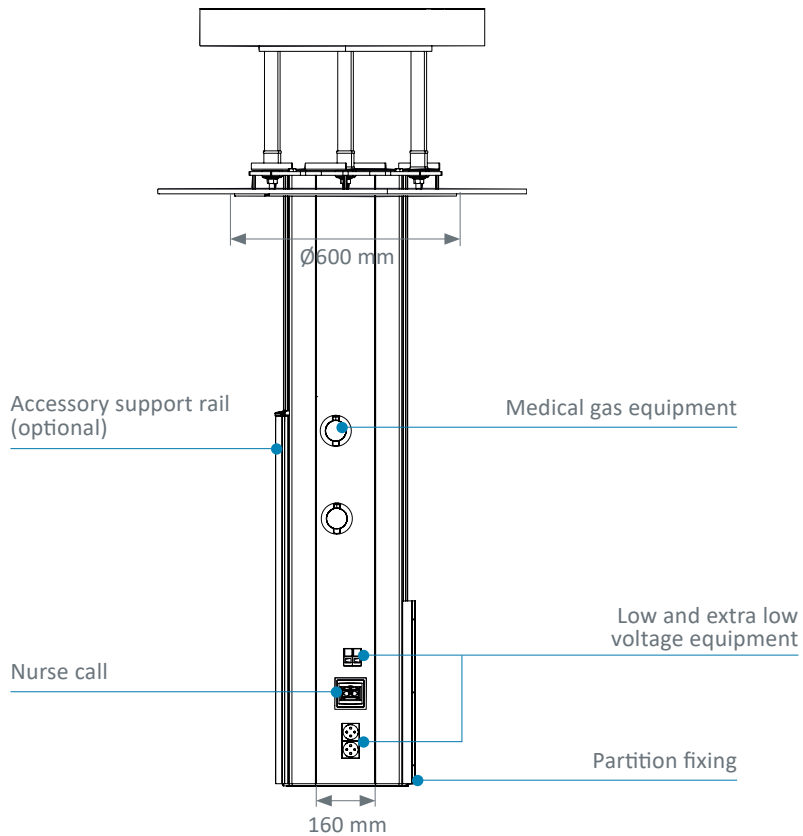


TECHNICAL FEATURES

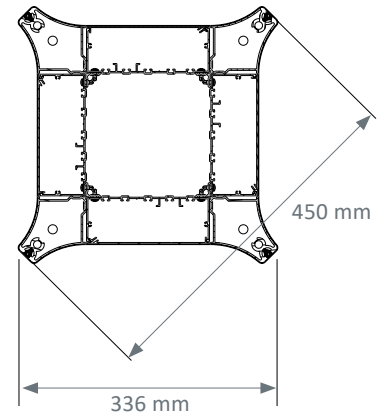
The ambulatory concept is manufactured with FLUIDYS suspended profiles to which wooden panels are attached. These customized partitions enable the patient to be isolated from activity and from other people. It preserves comfort and privacy. The custom-made design of the panels, in 10 mm HPL, ensures optimum stability. They can be cut to the size and shape of your choice *. Only one supply point is necessary for 4 treatment stations.

It is suspended from the ceiling and the partitions stand on feet to ensure optimal asepsis and easy cleaning.

Front view



Cross-section



Example configuration



*Within the limit of the maximum dimension of the panel

TECHNICAL FEATURES

Standard colours

The FLUIDYS architectural concept offers a wide range of colours.
Only the panels listed below have an antibacterial Sanitized® treatment.



Colours

Blue B086 Finish: FA	Beige B116 Finish : FA	White B117 Finish : FA	Blue B124 Finish : FA	Blue C118 Finish : FA	Céladon C190 Finish : FA
Smoke F008 Finish : FA	Gray G044 Finish : FA	Orange G078 Finish: FA	Yellow J018 Finish : FA	Green P092 Finish: FA	Pink R058 Finish : FA

More colours available at <https://en.polyrey.com/collection/plain-colours>

Woods

Pecan Wood B023 Finish : FA	Washed Oak C103 Finish : SEV	Vendome Oak C133 Finish : SEV	Natural Cherry tree C181 Finish : EXM	Northern Maple E028 Finish : FA	Faroese Maple E103 Finish : EXM
Crystal Ash F058 Finish : SEV	Monreale Ash F061 Finish : SEV	Bergen Beech H028 Finish : SEV	Natural Hazel N056 Finish : EXM	Walnut Havana N114 Finish : EXM	Appalachian Walnut N118 Finish : EXM

More colours available at <https://en.polyrey.com/collection/woods>

FA Finish: Light satin finish with an extra fine grain and soft texture

EXM Finish: Extra matt with a rough texture that recreates the authenticity of the original materials

SEV Finish: The fibre of wood underpinned by a subtly irregular and silky grained surface

NB : The colours shown here may differ from finished products.

Contact our sales force to view our samples.

You can receive them within 48 hours.

Hinged door (optional)



The hinged doors located on the partitions enhance privacy while contributing to the overall design of the space.

Rotating shelf (optional)



The custom-made rotating shelf allows you to use it as a snack tray and / or to put the patients belongings.

EQUIPEMENTS

The concept has 4 sides and can accommodate 4 patients simultaneously while ensuring peace of mind for everyone. This reception capacity increases the speed and efficiency of patient management and monitoring.



Electrical equipment integration

The waterjet cutting of the FLUIDYS cover enables exact and customized cutting. It can integrate all forms of outlets. Flush mounting of electrical equipment enables easier cleaning and disinfection of the product.



Medical gas casing

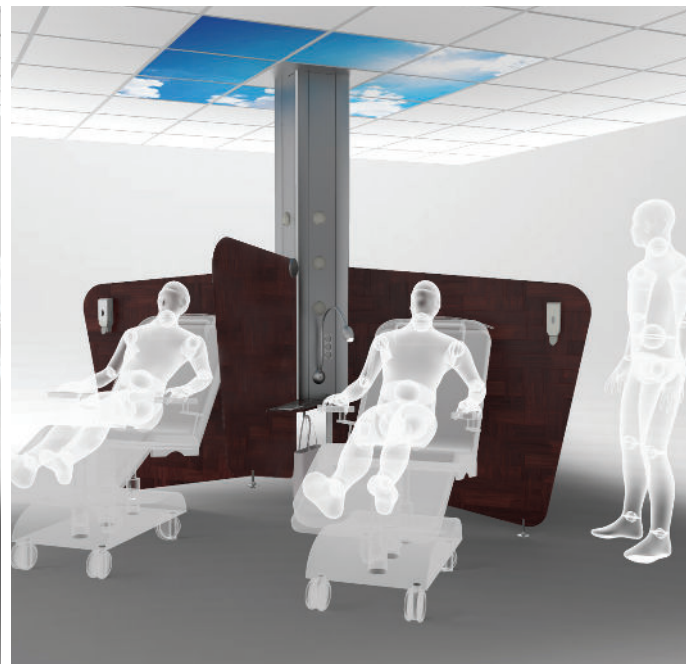
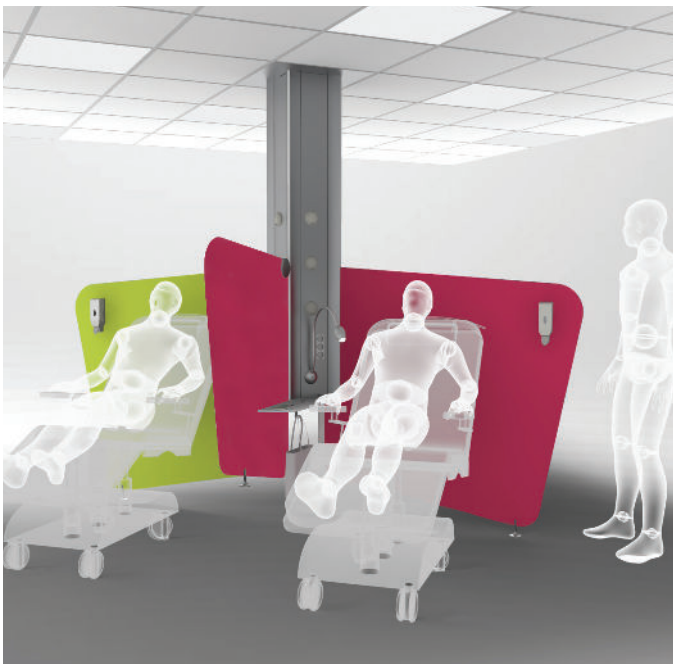
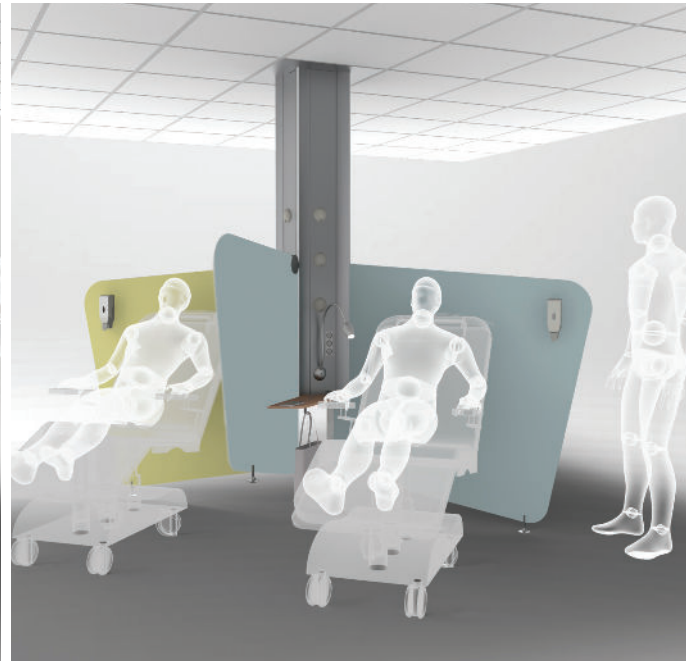
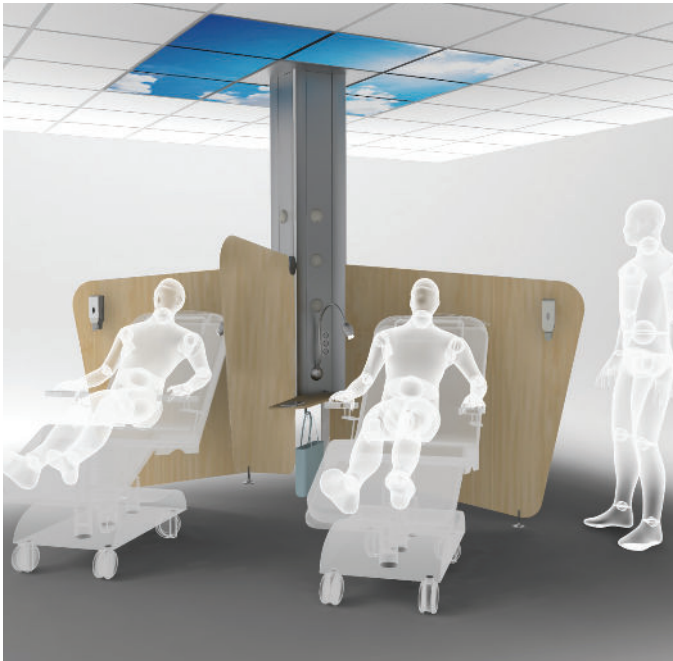
For AFNOR gas outlets, ABS/PC medical gas casing are available with cover.



FLEX-E LIGHT (as option)

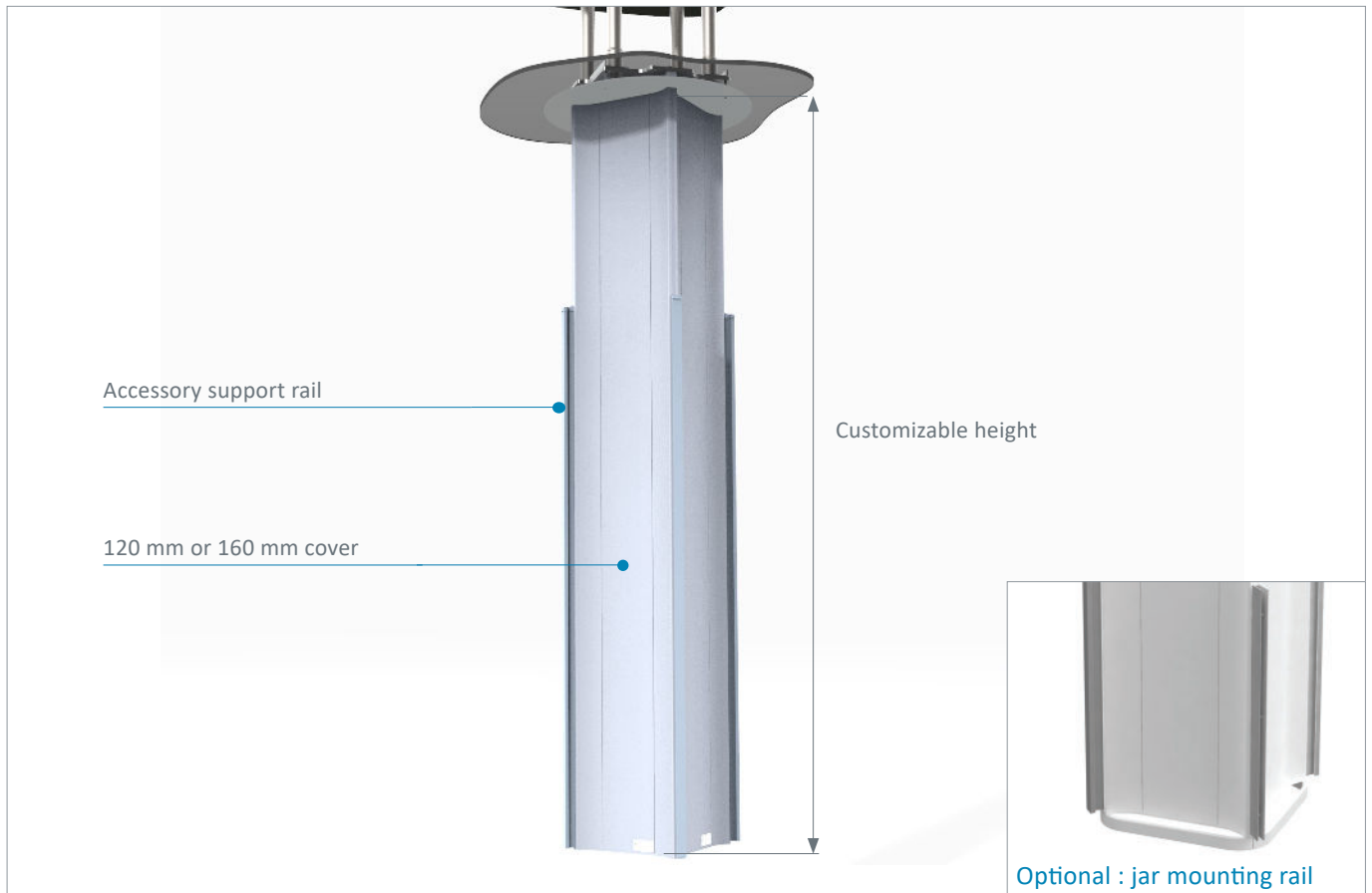
A spot makes it possible to discreetly integrate reading lighting on the bed head unit.

EXAMPLES OF CONFIGURATIONS

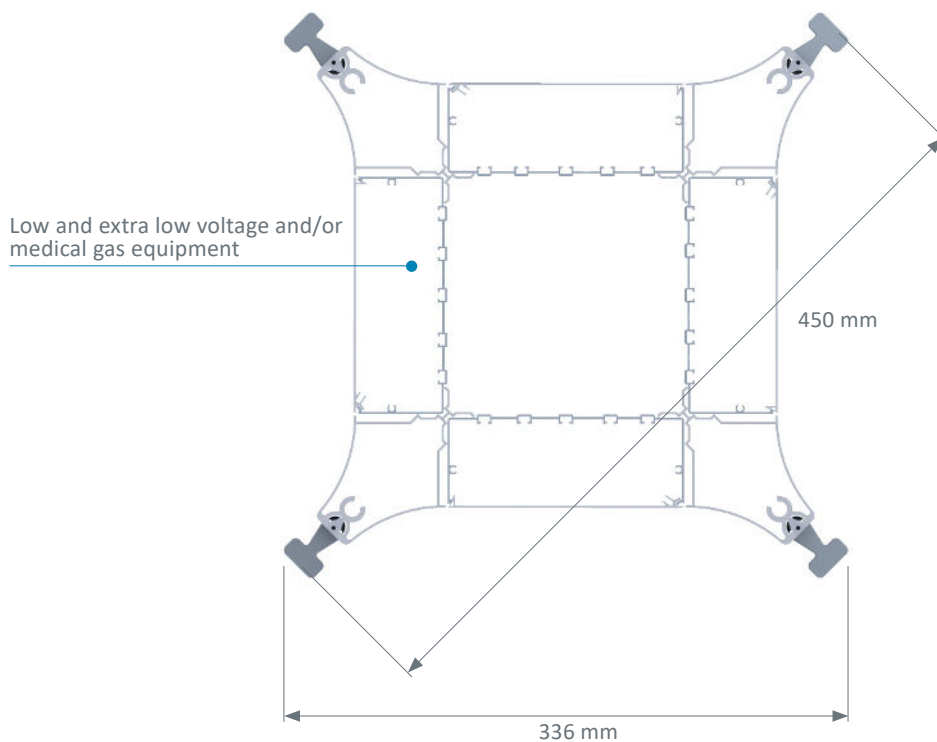


OPTION : FLUIDYS COLUMN FOR OT / ICU RESUSCITATION

The 4 sides FLUIDYS column can be equipped with or without accessory support rail depending on the needs.



Cross-section (160 mm cover)





Norms & certifications

- ISO 13485: Quality management systems
- CE Medical Devices Marking according to the (EU) Rules 2017/745
- EN ISO 11197: Medical supply units
- EN ISO 7396-1: Medical gas pipeline systems - Part 1

Bed head units, Wall lighting units, Ceiling pendants, Suspended Beams & Columns,
Special care bed head units, Sealed lightings, Medical gas monitoring & Biomedical Accessories

