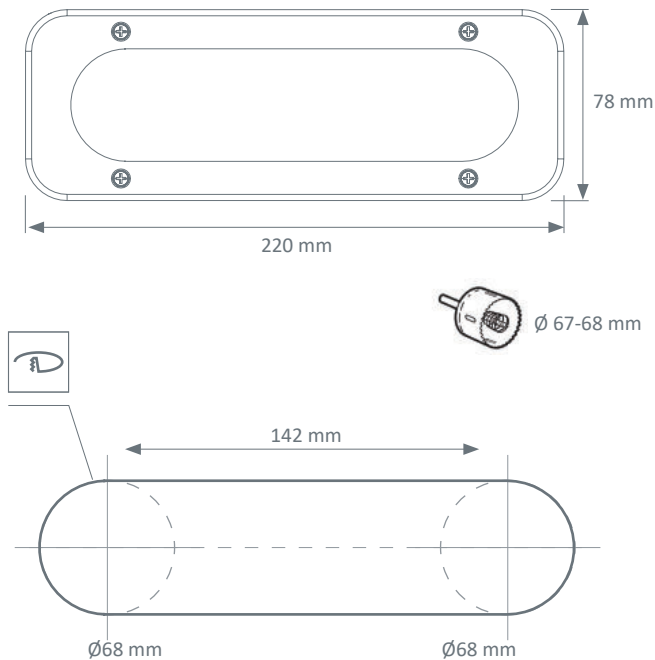




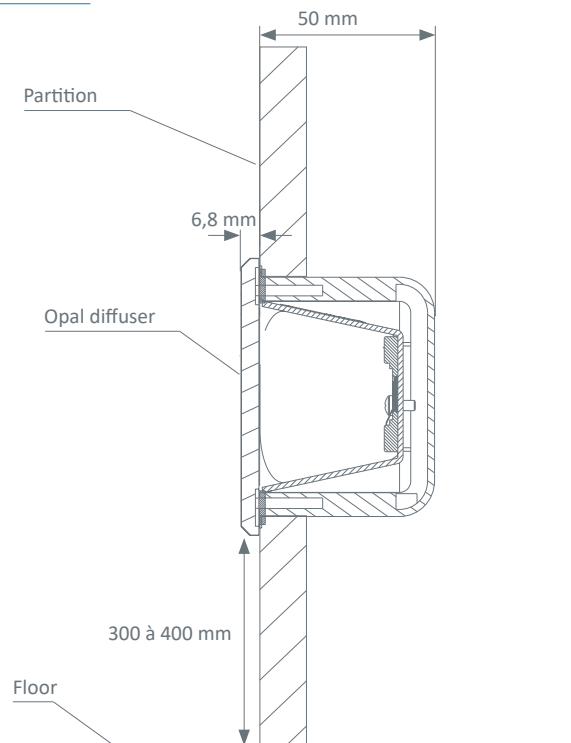
TECHNICAL FEATURES

NATLYS is an orientation light that allows hospital staff or patients who need to leave their bed during the night to move without disturbing sleeping patients. The orientation light can be installed on plasterboard, plywood or wood panels.

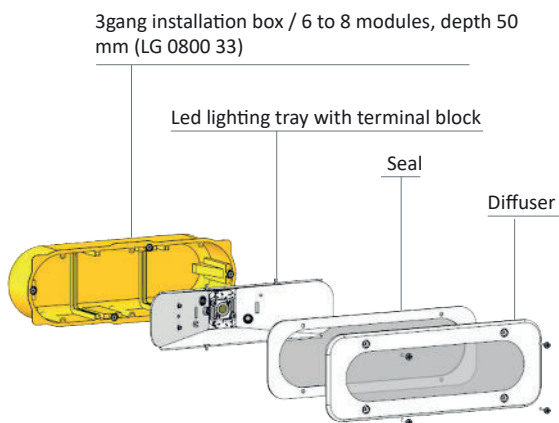
Front view



Side view



Exploded view



Driver

Fixed

Standards

Class I

650°

IP 20
IP 65

Lighting	Modules power	Type of sources	Colour Temperature	Level of illumination	Consumption	Driver	Efficiency energy class
Orientation	3,1W	LED	3 000 K / 4 000 K	5 lux on the ground 335 lm	4,9W	Fixed	

Characteristics:

- Power supply: 220 - 240V ~
- Frequency: 50 - 60 Hz
- IK 08 on the front (5 joules)
- Colour : white RAL 9016
- CRI 90
- Light surface 185x45 mm
- IP65 only on the front panel (Secondary IP).

Standards:

- Complies with EN 60598-1
- DIRECTIVE 2014/35 / EU
- DIRECTIVE 2014/30 / EU

Norms & recommendations

- Directive 2014/30/UE : Electromagnetic Compatibility (EMC)
- Low Voltage Directive (LVD) 2014/35/UE
- EN 60598: Luminaires - Part 1: General requirements and tests - Part 2-25: Luminaires for use in clinical areas of hospitals and health care buildings
- Article EC5 safety regulation against the risks of fire and panic in public buildings
- European rules for caring centers lighting

Bed head units, Wall lighting units, Ceiling pendants, Suspended Beams & Columns,
Special care bed head units, Sealed lightings, Medical gas monitoring & Biomedical Accessories

