



TECHNICAL CHARACTERISTICS

TLV offers wall-mounted or recessed gas casing for the distribution of medical gases. They are suitable for OT/ICU Resuscitation. ABS / PC medical gas casings are available with flap for AFNOR gas outlets.

■ WALL-MOUNTED MEDICAL GAS CASING (SILEA AND FLUIDYS PROFILES)

STANDARD CONFIGURATION

Number of outlets	Standard dimensions NF / DIN outlets	Standard dimensions BS outlets
	Length (mm)	Length (mm)
2	260 mm	290 mm
3	380 mm	410 mm
4	500 mm	545 mm
5	620 mm	680 mm
6	740 mm	815 mm
7	860 mm	950 mm
8	980 mm	1085 mm

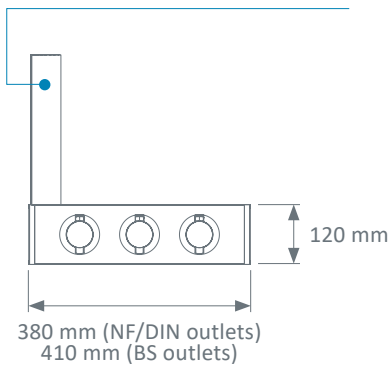
Colors

	WHITE RAL 9016	GREY RAL 9006	GREY RAL 7040
Aluminum profile	●	●	
Medical gas casing	●		●
End caps	●		●

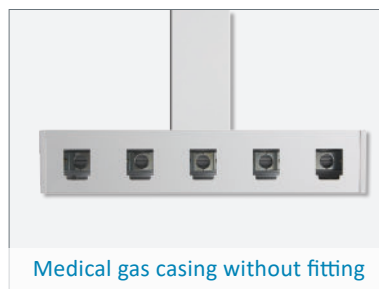
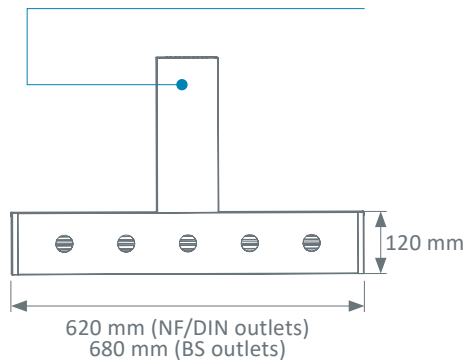
■ Horizontal box

Front view

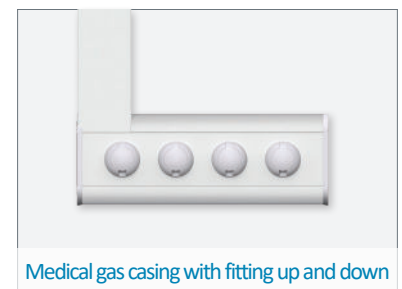
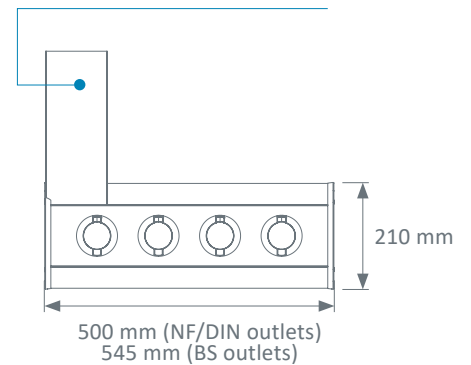
Feeding from the side or central section : 35x63 mm or 120x63mm



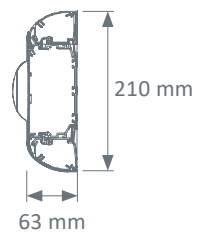
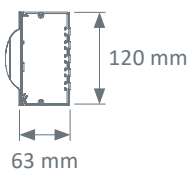
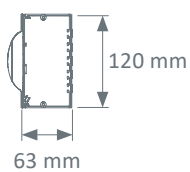
Feeding from the side or central section : 35x63 mm or 120x63mm



Feeding from the side or central section : 120x63 mm



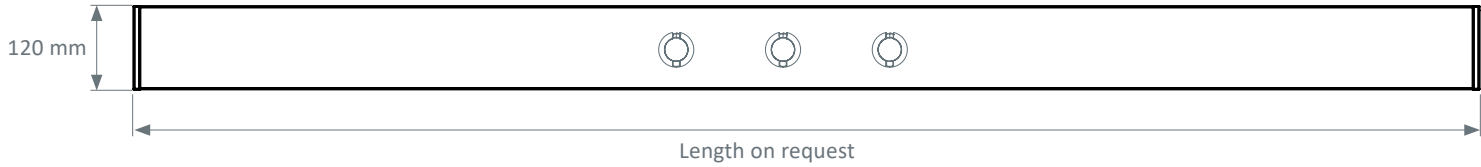
Cross-section



CUSTOM MADE CONFIGURATION

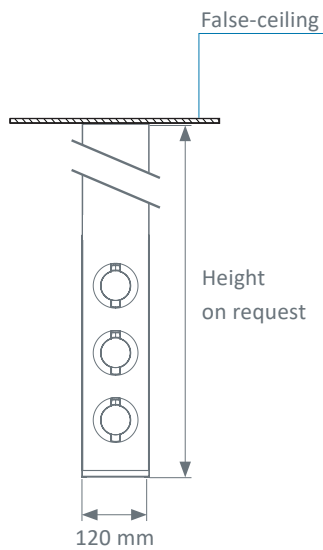
■ Horizontal unit

Front view

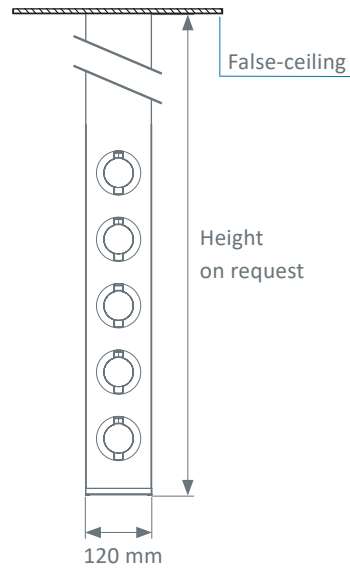


■ Vertical unit

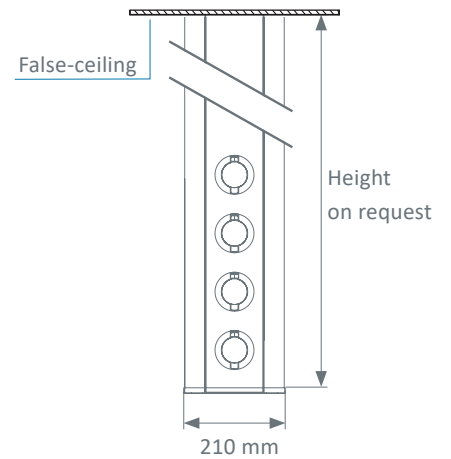
Front view



Medical gas casing without fitting

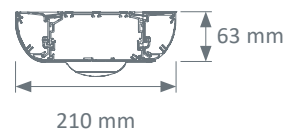
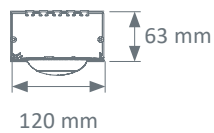
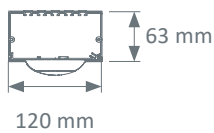


Medical gas casing without fitting



Medical gas casing with fitting

Cross-section



TECHNICAL CHARACTERISTICS

RECESSED MEDICAL GAS CASING (MULTIDYS FLUSH MOUNTED SUPPLY UNIT)

Colors

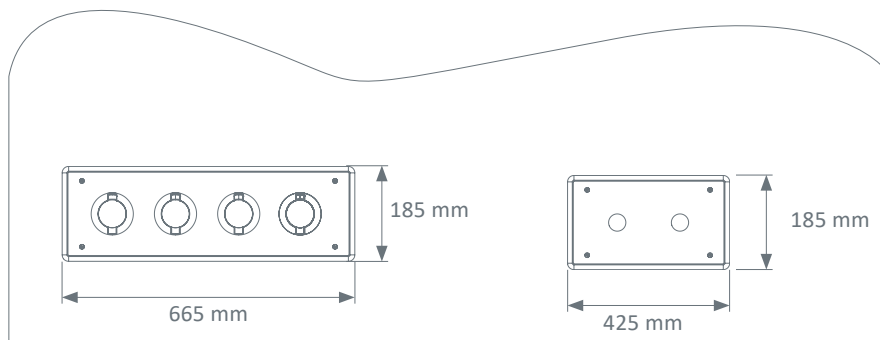
	WHITE RAL 9016	GREY RAL 9006	GREY RAL 7040	Other RAL
Front panel	●	●		Consult us
Medical gas casing	●		●	

Standard dimensions - NF / DIN / BS outlets

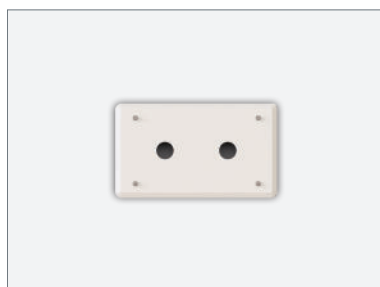
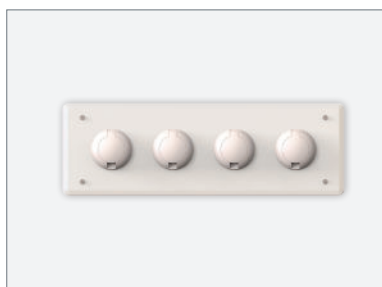
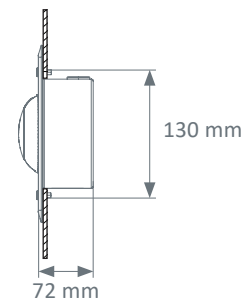
Number of outlets	Front panel overall dimensions L x W x D (mm)	Recessed cut out L x W (mm)
2	425 x 185 x 72 mm	370 x 130 mm
3	545 x 185 x 72 mm	490 x 130 mm
4	665 x 185 x 72 mm	610 x 130 mm
5	785 x 185 x 72 mm	730 x 130 mm
6	905 x 185 x 72 mm	850 x 130 mm
7	1025 x 185 x 72 mm	970 x 130 mm
8	1145 x 185 x 72 mm	1090 x 130 mm

Horizontal box

Front view



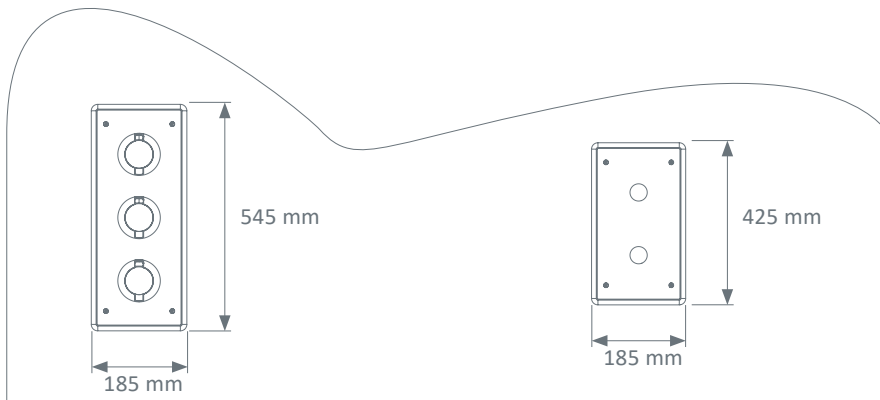
Cross-section



* NB : The installation company may re-inforce the plaster wall when the solution is recessed

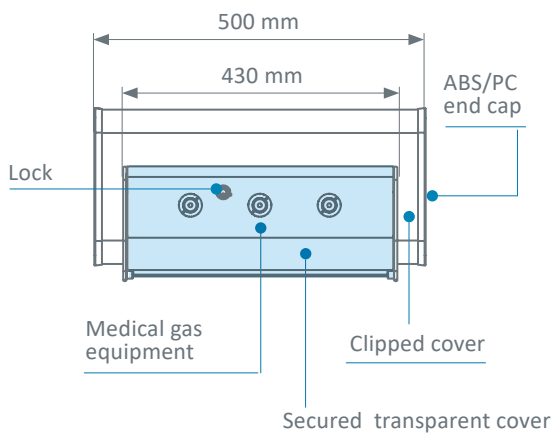
Vertical box

Front view

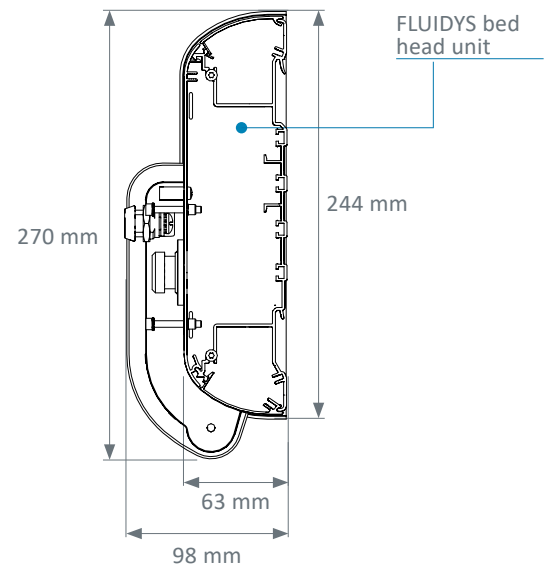


SECURED MEDICAL GAS CASING

Front view



Cross-section



The medical gas casing has a specific cover secured by key for medical gas. Made of PMMA (Polymethyl methacrylate), the transparent cover is resistant and can be adapted to environments requiring a maximum security. It has a high impact resistance rating IK 07.

Norms & certifications

- EN ISO 13485: Quality management systems
- CE Medical Devices Marking according to 93/42/EEC Directive
- EN ISO 11197: Medical supply units
- EN ISO 7396-1: Medical gas pipeline systems - Part 1

Bed head units, Wall lighting units, Ceiling pendants, Suspended Beams & Columns,
Special care bed head units, Sealed lightings, Medical gas monitoring & Biomedical Accessories

