



## CARE AND EXAMINATION LAMPS

LED



### Care LED lamp with gradation on articulated arm with clamp

This lamp is really convenient for examinations and is suitable for resuscitation ward or patient rooms.

Length : 885 mm  
Light output 30000 Lux / 0,5 m  
Field of illumination 300 mm / 0,5 m  
Color temperature 4400 K  
CRI > 93

For horizontal rail, ref : 815652

For vertical tube or rail, ref : 815653

LED



### Care LED lamp on articulated arm

This lamp can be used in examination rooms or ICU. It provides reliable and ideal lighting for medical examinations.

#### 1 color temperature, with clamp

Length : 940 mm  
Light output 50000 Lux / 0,5 m  
Field of illumination 180 mm  
Color temperature 4 400 K  
CRI > 93

For horizontal rail, ref : 815654

For vertical tube or rail, ref : 815655

#### 3 color temperatures, with clamp, 5 gradation level

Light output 50000 Lux / 0,5 m  
Field of illumination 180 mm  
Color temperature 3 300 K / 3 800 K / 4 400 K  
CRI > 93

For horizontal rail, ref : 815656

For vertical tube or rail, ref : 815657

LED



### LED lamp on flexible arm

This lamp is suitable for daily medical examinations.

Length : 1000 mm  
Light output 50000 Lux / 0,5 m  
Field of illumination 180 mm  
Color temperature 4 400 K  
CRI > 93

For horizontal rail, ref : 815714

For vertical tube or rail, ref : 815715

## CARE AND EXAMINATION LAMPS



### LED lamp on articulated arm with clamp

Length : 991 mm  
Light output 50000 Lux / 0,5 m  
Field of illumination 100 mm  
Color temperature 4 300 K

For horizontal rail, ref : 815662

For vertical tube or rail, ref : 815663



### LED minor ops and examination lamp with double joint rigid arm (clamp included)

This care lamp is ideal for emergencies, neonatology or in addition in operating rooms for small or ambulatory surgeries. It can be screwed onto the ceiling anchoring of the TECH-CARE pendant.

Length : 1750 mm (+ tige verticale min 700 - max 1200)  
Light output 80000 Lux / 1m  
Field of illumination 180 mm  
Color temperature 4 500 K  
CRI > 95

For ceiling mounting, ref : 815706

For wall mounting, ref : 815707

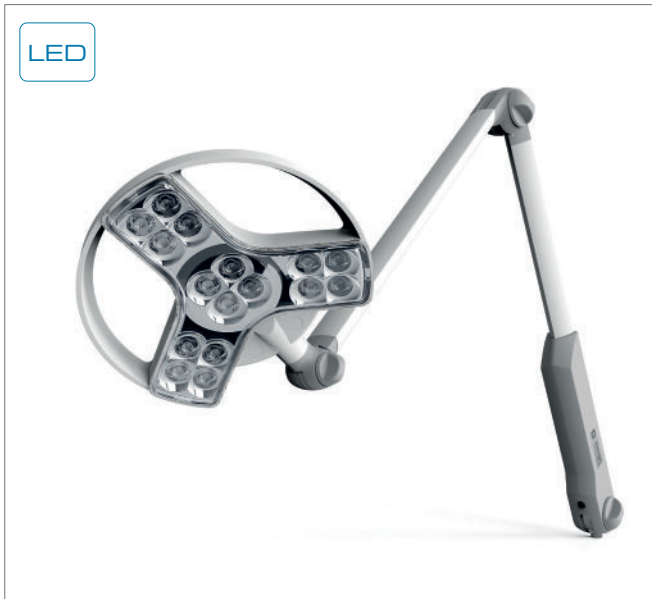


### Wall-mounted LED lamp

Length : 1850 mm  
Light output > 40000 Lux / 1 m  
Field of illumination < 240 mm  
Color temperature 4 500 K

Ref : 519143

## EXAMINATION LAMPS



### LED lamp on articulated arm, 2 color temperatures with clamp, 4 gradation level

This lamp is perfect for sensitive areas like neonatology or ICU/Resuscitation.

Length : 1080 mm  
Light output 60000 Lux / 0,5 m  
Field of illumination 210 mm  
Color temperature 3 500 K / 4 500 K  
CRI > 93

For horizontal rail, ref : 815658

For vertical tube or rail, ref : 815659

## CARE AND READING LAMPS



### Care and reading LED lamp on flexible arm

It is particularly recommended for reading in the patient rooms of hospitals or retirement homes.

Length : 800 mm  
Light output 1100 Lux / 0,5 m  
Field of illumination 600 mm  
Color temperature 3 000 K  
CRI > 80

For horizontal rail, ref : 815708

For vertical tube or rail, ref : 815709

#### As option:

This lamp is available without switch. In this case the control will be done directly from the nurse call pear.

For horizontal rail, ref : 815710

For vertical tube or rail, ref : 815711



### Care and reading LED lamp on flexible arm

This lamp is mainly used for reading in retirement homes. The handle integrates a luminous ON/OFF switch. It enables easy use and positioning.

Length : 820 mm  
Light output 1000 Lux / 0,5 m  
Field of illumination 450 mm  
Color temperature 3 000 K  
CRI > 95

For horizontal rail, ref : 815712

For vertical tube or rail, ref : 815713

# TILTING SWIVEL ARM FOR SCREEN / MONITOR

## Monitor stand

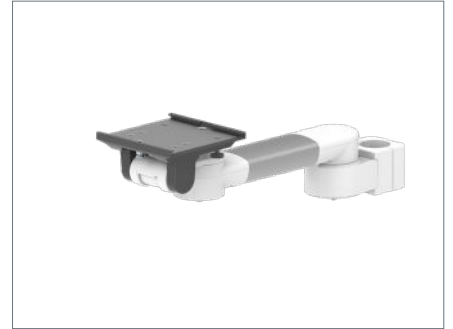
Swivel arm, length 300 mm, for VESA quick-fit panel (18 kg max.)



For horizontal rail, ref : 511508



For wall vertical rail, ref : 511510



For vertical Ø38 tube, ref : 519126

Swivel arm, length 300+300 mm, for VESA quick-fit panel (18 kg max.)



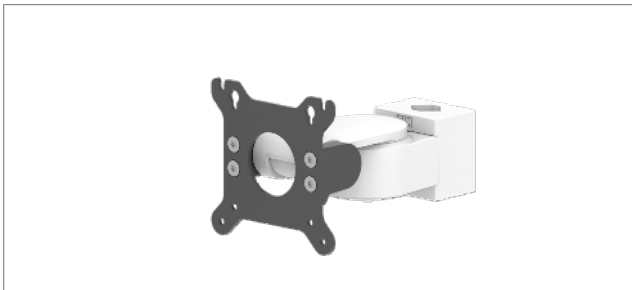
For horizontal rail, ref : 511509



For vertical rail, ref : 511511

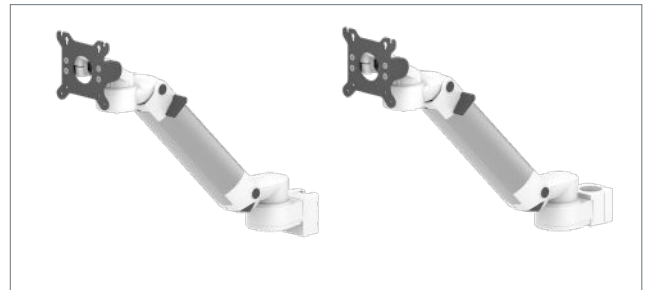


For vertical Ø38 tube, ref : 511524



VESA 75 / 100 mm monitor stand on clamp for tube (Ø 23-40 mm)

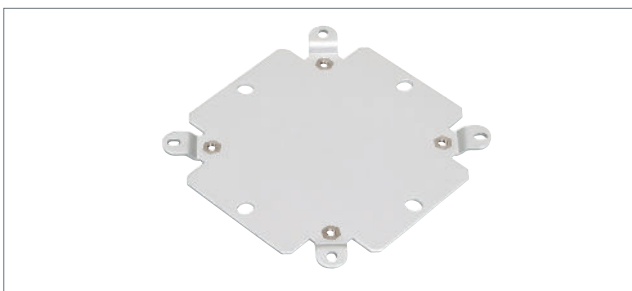
Ref : 815489



Height-adjustable arm, 450 mm offset, vertical travel 438 mm for VESA screen (max 16 kg).

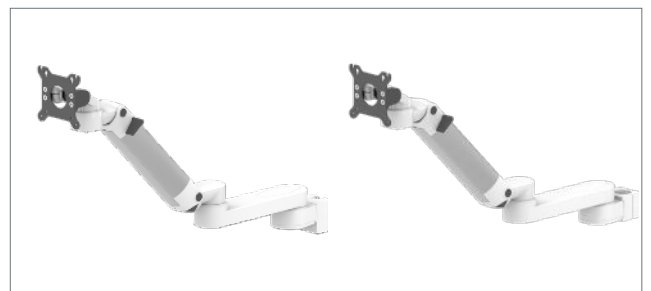
For vertical rail, ref : 511512

For vertical Ø38 tube, ref : 511525



VESA quick adapter panel

Ref : 519131

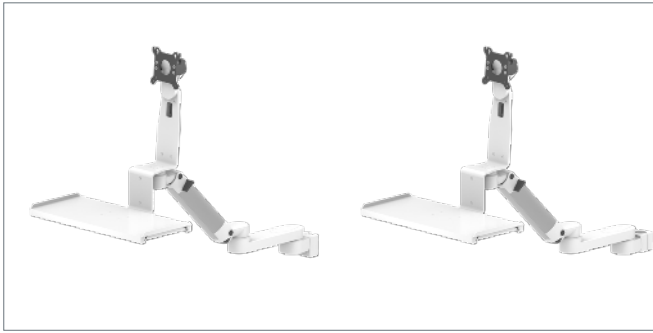


Height-adjustable arm, 450 mm offset, vertical travel 438 mm with 230 mm extension for VESA screen (max 18 kg).

For vertical rail, ref : 511513

For vertical Ø38 tube, ref : 511526

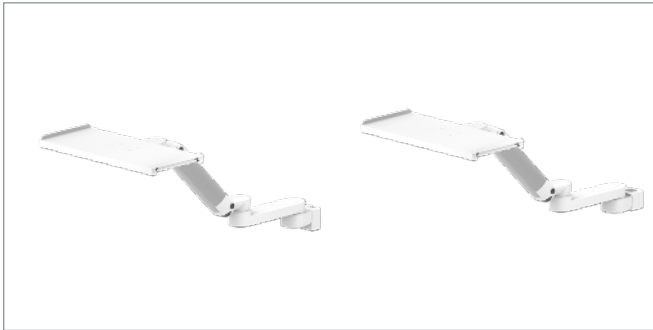
## TILTING SWIVEL ARM FOR KEYBOARD AND MOUSE



**Height adjustable screen and keyboard stand, 450 mm offset, vertical travel 438 mm with 230 mm extension (max 17 kg)**

For vertical rail, ref : 511514

For vertical Ø38 tube, ref : 511530



**Height adjustable arm, 450 mm horizontal extension, vertical travel 438 mm with 230 mm extension (5kg maximum for the tray)**

For vertical rail, ref : 511694

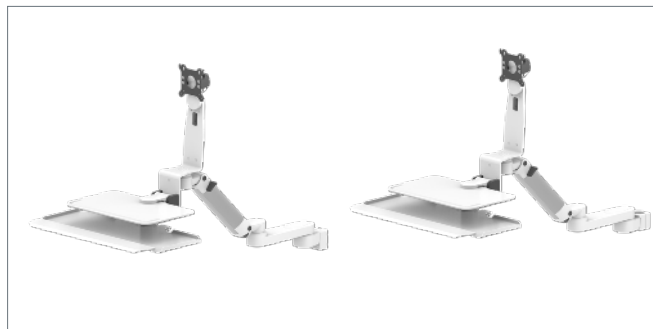
For vertical Ø38 tube, ref : 511695



**Monitor/keyboard stand with height-adjustable work surface, 450 mm offset, 438 mm vertical travel (14 kg max)\***

For vertical rail, ref : 511580

For vertical Ø38 tube, ref : 511577



**Monitor/keyboard stand with height-adjustable work surface, 450 mm offset, 438 mm vertical travel with 230 mm extension (14 kg max)\***

For vertical rail, ref : 511578

For vertical Ø38 tube, ref : 511579

\* for loads of less than 12,5 kg, please consult us.

## TILTING SWIVEL ARM FOR KEYBOARD AND MOUSE



**Height adjustable arm, 524 mm horizontal extension, vertical travel 330 mm (max 11,3 kg)**

**Load max : 9 kg**

For vertical rail, ref : 815349

For vertical Ø38 tube, ref : 815339



**Height adjustable arm, 524 mm horizontal extension, vertical travel 330 mm**

For vertical rail, ref : 815350

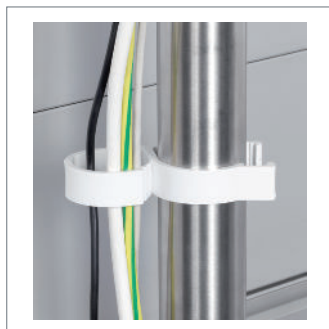
For vertical Ø38 tube, ref : 815340



**Height adjustable screen and keyboard stand with work surface 432 mm horizontal extension, vertical travel 508 mm (max 14,5 kg)**

For vertical Ø38 tube, ref : 815687

## ACCESSORIES



**Universal cable conduit  
for 25x10 rail or Ø38  
tube (batch of 4)**

Ref : 815121



**Universal clamp**

Ref : 519100



**Ø25 tube clamp**

Ref : 519101



**Ø18 tube clamp**

Ref : 519129



**Telescopic IV pole, 4 hooks  
on arm with 300 mm  
horizontal extension  
Load max :  
all 32 kg and 2 kg / hook**

For vertical rail or tube,  
ref : 815487

For horizontal rail,  
ref : 815196



**Secondary stainless steel  
tube Ø25 x 1000 mm  
on arm with 300 mm  
horizontal extension  
Load max : 28 kg**

For vertical rail or tube,  
ref : 815125

For horizontal rail,  
ref : 815526



**Set of two telescopic IV  
poles, 4 hooks for Ø38  
mono tube trolley  
Load max :  
all 32 kg and 2 kg / hook**

Ref : 815488



**Telescopic IV pole, 4  
hooks for horizontal rail  
Load max : 2 kg / hook**

Ref : 519108



**Telescopic IV pole, 6  
hooks for horizontal rail  
Load max : 2 kg / hook**

Ref : 519109



**Telescopic elbowed  
IV pole, 3 hooks for  
horizontal rail (bed head  
unit or wall mounted)  
Load max : 2 kg / hook**

Ref : 519110



## ACCESSORIES



**Telescopic elbowed IV pole, 4 hooks for horizontal rail (bed head unit or wall mounted)**  
Load max : 2 kg / hook

Ref : 519111



**Telescopic IV pole, 4 hooks for horizontal rail**  
Load max : 2 kg / hook

Ref : 519112



**Elbowed IV pole with 6 hooks**  
Load max : 3 kg

Ref : 815076



**Articulated arm (approx. 1000 mm) with 4 hooks for Ø23 tube (clamp not included)**

Ref : 519113



**Monitor shelf, 540 x 360 mm / 40 kg**

Ref : 519114



**Monitor shelf, 540 x 360 mm / 40 kg with one 420 x 310 mm drawer**

Ref : 519115



**Monitor shelf, 540 x 360 mm / 40 kg with two 420 x 310 mm drawer**

Ref : 519116



**Off-center rail on clamp 25 x 10 x 355 mm**  
Load max : 14 kg

Ref : 519117



**Centered rail on clamp 25 x 10 x 355 mm**  
Load max : 14 kg

Ref : 519118



**Tilt shelf 300 x 300 mm on offset arm / 10 kg**

Ref : 915083

## ACCESSORIES



**Shelf, 300 x 200 mm / 4 kg**

Ref : 519134



**Fixed shelf,  
365 x 290 mm / 15 kg**

Ref : 519061



**Folding shelf,  
465 x 300 mm / 6 kg**

Ref : 519060



**Probe holder with one  
compartment,  
410 x 160 x 70 mm,  
with 2 hooks for  
horizontal rail**

Ref : 519056



**Probe holder with three  
compartments,  
510 x 380 x 70 mm,  
with 2 hooks for  
horizontal rail**

Ref : 519057



**Document holder**

Ref : 519066

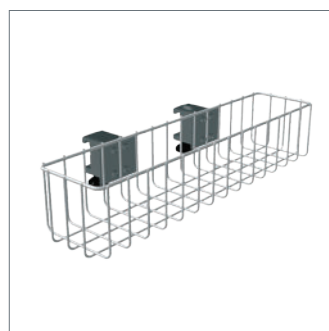


**Stainless steel support  
for 8 L bags**

Ref : 519063

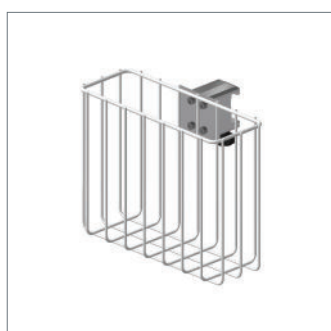
**8 L bags, Qty. 50**

Ref : 519064



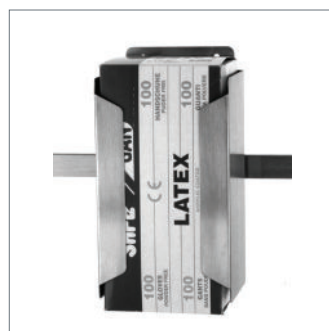
**Basket made of  
powder-coated steel  
500 x 120 x 100 mm with  
2 clamps for horizontal  
rail**

Ref : 519163



**Basket made of  
powder-coated steel  
250 x 90 x 200 mm with  
clamp for horizontal rail**

Ref : 519162



**Glove box holder  
260 x 132 x 100 mm with  
clamp for horizontal rail**

Ref : 519128

## ACCESSORIES



**Glove box holder**  
200 x 134 x 90 mm with 2  
hooks for horizontal rail

Ref : 519164



**Mask stand**

Ref : 519062



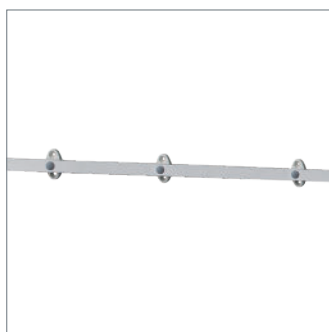
**Double rail for shuttle**  
25 x 10 x 650 mm  
Load max : 20 kg

Ref : 815104



**Jar-holder rail for vertical  
box or Multicare. Load  
max : 30 kg**

Ref : 815451



**Wall rail made of  
aluminum 25 x 10 mm  
(per meter)**

Ref : 815321



**Secondary stainless steel  
tube Ø25 x 500 mm on  
clamp**

Ref : 815126



**Secondary stainless steel  
tube Ø38x1500 mm on  
clamp for horizontal bed  
head rail / wall rail  
Load max : 30 kg**

Ref : 815127

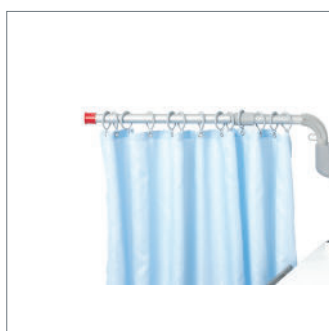
**Secondary stainless steel  
tube Ø38x1500 mm on  
clamp for horizontal rails  
Load max : 30 kg**

Ref : 815128



**Sliding trolley SM 60  
Ø38 Mono tube (tray not  
included)**

Ref : 815325



**View protection  
assembly (140 x 120 cm)**

Ref : 519067

**View protection  
assembly (230 x 140 cm)**

Ref : 519069



**Mounting interface  
for view protection  
assembly.**

For rail or Ø38 vertical  
tube, ref : 815090

For horizontal rail,  
ref : 815341

## ACCESSORIES



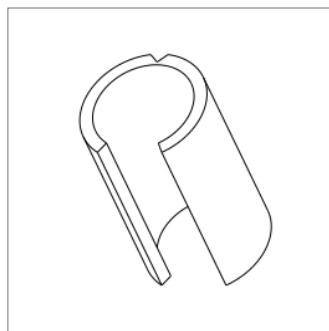
**Secondary stainless steel tube  $\varnothing 38$  x 150 mm, for vertical rail**

Ref : 815243



**Extra tube system to hold accessories  $\varnothing 30$**

Réf : 815702



**Adapter  $\varnothing 30$  for tube  $\varnothing 38$**

Ref : 51088

## ACCESSORIES



**Nurse call pear push with normally open contact and two-pin plug**

Close contact, ref : 517100  
Open contact, ref : 517212

**Four-function handset (general, reading, call + indicator light) with 10-pin plug**

Ref : 517193

**Two-function handset (reading, call + indicator light) with 10-pin plug**

Ref : 517199

**Three-function handset (general, reading, aux., call + indicator light) with 10-pin plug**

Ref : 517190

**Five-function handset (general, reading, up, down, call + indicator light) with 10-pin plug**

Ref : 517191



**DIN 10-pin plug on Mosaic 45 two-module support**

Ref : 504017



**Male/Female pull-out cord**

Ref : 517200



**Wall bracket for handset**

Ref : 549150



**Horizontal box handset**

Ref : 517241



**Stainless steel vertical tube support for accessories, dedicated to AXIS**

Ref : 825317



**Stainless steel tablet support for accessories, dedicated to AXIS**

Ref : 825316

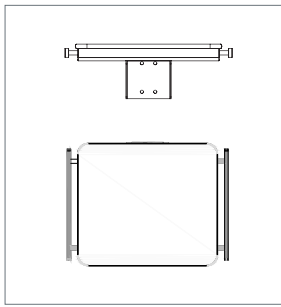


**NATLYS circulation lighting**

Ref : 891230

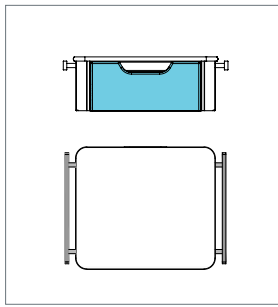
## ACCESSORIES

### Tray(s) / drawer(s) for column, box, bed head unit or $\varnothing$ 38 tube



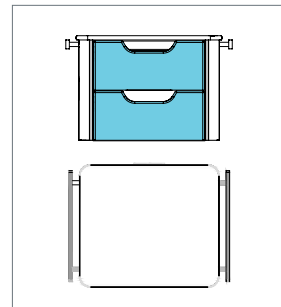
**Tray 405x355 mm with lateral rail without mount (40 kg max)**

Compact white finish  
Ref : 815671



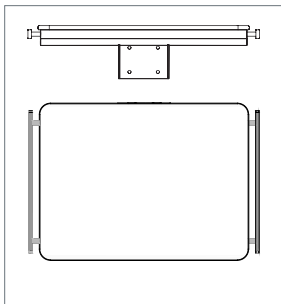
**Tray unit 405x355 mm with single drawer and lateral rails without mount (40 kg max)**

Compact white finish  
Ref : 815673



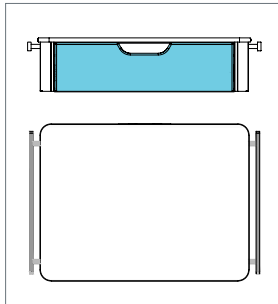
**Tray unit 405x355 mm with double drawer and lateral rails without mount (40 kg max)**

Compact white finish  
Ref : 815675



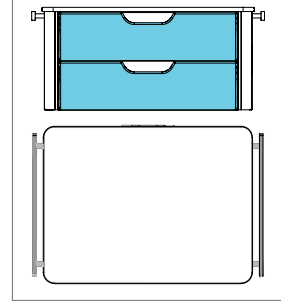
**Tray 605x455 mm with lateral rails without mount (60 kg max)**

Compact white finish  
Ref : 815677



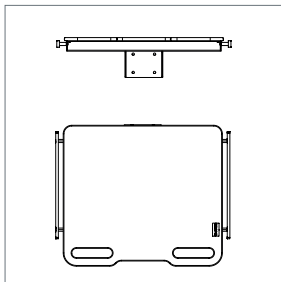
**Tray unit 605x455 mm with single drawer and lateral rails without mount (60 kg max)**

Compact white finish  
Ref : 815679



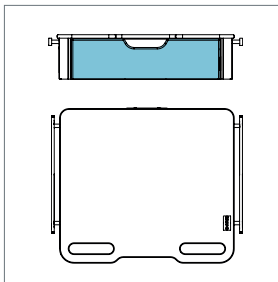
**Tray unit 605x455 mm with double drawer and lateral rails without mount (60 kg max)**

Compact white finish  
Ref : 815681



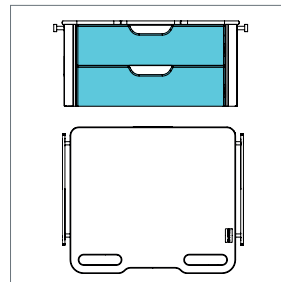
**Tray unit 605x455 mm with lateral rails with handles (60 kg max)**

Compact white finish  
Ref : 815648



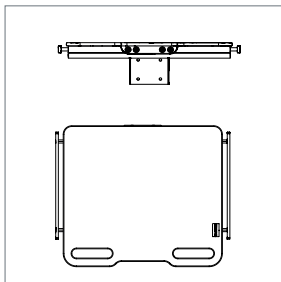
**Tray unit 605x455 mm with single drawer and lateral rails with handles (60 kg max)**

Compact white finish  
Ref : 815649



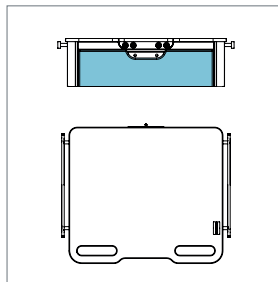
**Tray unit 605x455 mm with double drawer and lateral rails with handles (60 kg max)**

Compact white finish  
Ref : 815650



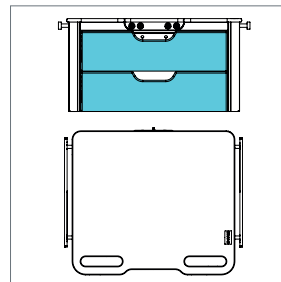
**Tray unit 605x455 mm with lateral rails with handles and control buttons (60 kg max)**

Compact white finish



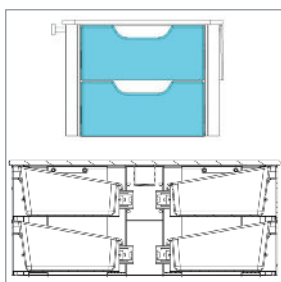
**Tray unit 605x455 mm with single drawer and lateral rails with handles and control buttons (60 kg max)**

Compact white finish  
Ref : contact us



**Tray unit 605x455 mm with double drawer and lateral rails with handles and control buttons (60 kg max)**

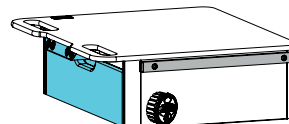
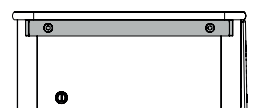
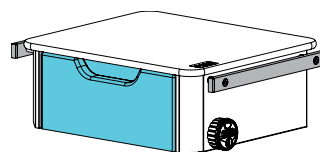
Compact white finish  
Ref : contact us



**Tray unit 687x405 mm with double drawer and front rails without mount (60 kg max). Matching 815683, 815685 and 815686 mounting interface.**

Compact white finish  
Ref : 815717

**Optional : key or code lock – Contact us for more information.**



## ACCESSOIRES

Choose the mounting interface to fit your tray and drawer units :

Mounting interface for trays/drawers unit 400 x 355 mm for single vertical rail - Ref : 815682

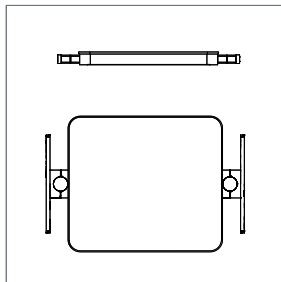
Mounting interface for trays/drawers unit 605x455 mm for MULTICARE column and vertical box TECH-CARE - Ref : 815683

Mounting interface for vertical Ø38 tube - Ref : 815684

Mounting interface for mono FLUIDYS T with 2 lateral rails - Ref : 815685

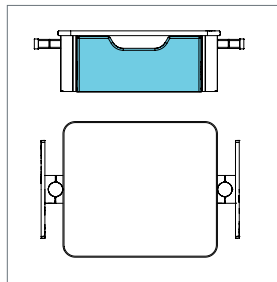
Mounting interface for duo FLUIDYS T with 2 lateral rails - Ref : 815686

### Tray(s) / drawer(s) for trolley or horizontal box



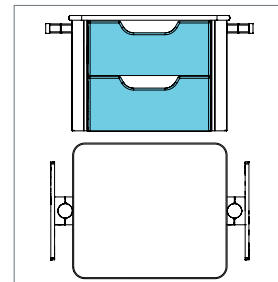
Tray 405x355 mm, with lateral rails (40 kg max)

Compact white finish  
Ref : 815624



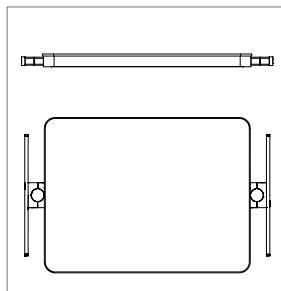
Tray unit 405x355 mm with single drawer and lateral rails (40 kg max)

Compact white finish  
Ref : 815630



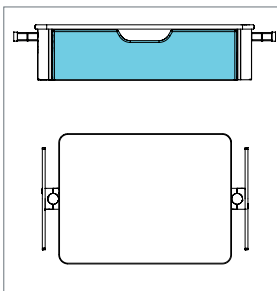
Tray unit 405x355 mm with double drawer and lateral rails (40 kg max)

Compact white finish  
Ref : 815632



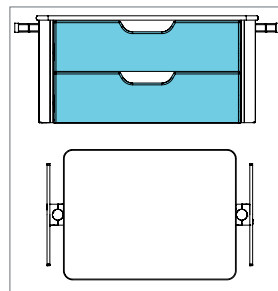
Tray 605x455 mm with lateral rails (60 kg max)

Compact white finish  
Ref : 815622



Tray unit 605x455 mm with single drawer and lateral rails (60 kg max)

Compact white finish  
Ref : 815626



Tray unit 605x455 mm with double drawer and lateral rails (60 kg max)

Compact white finish  
Ref : 815628

## Norms & certifications

- EN ISO 9001 and EN ISO 13485 Quality management systems
- CE Medical Devices Marking according to 93/42/EEC Directive
- EN ISO 11197 : Medical supply units
- EN ISO 7396-1 : Medical gas pipeline systems — Part 1
- European rules for caring centers lighting

Bed head units, Wall lighting units, Ceiling pendants, Suspended Beams & Columns,  
Special care bed head units, Sealed lightings, Medical gas monitoring & Biomedical Accessories

