

FLUIDYS (VERTICAL MOUNTING)

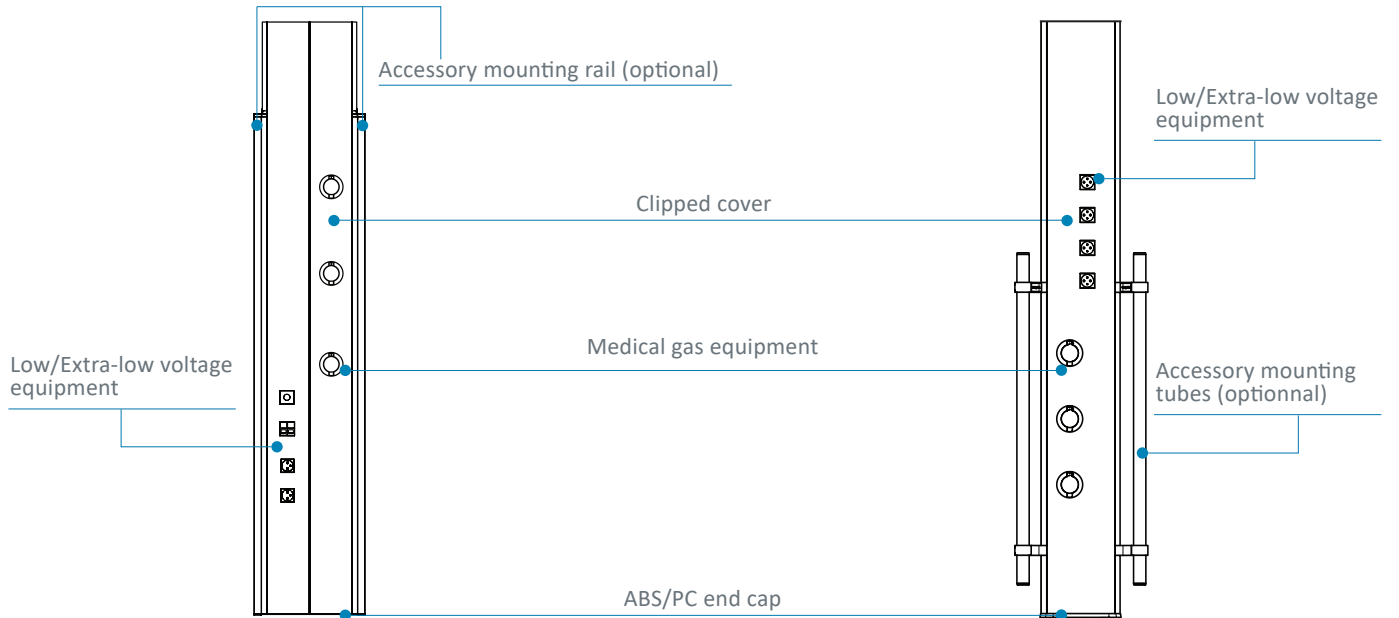


TECHNICAL CHARACTERISTICS

Front view

Fluidys Duo with rails

Fluidys Mono with tubes



Coloris

	WHITE RAL 9016	GREY RAL 7040	GREY RAL 9006	ANODIZED	STAINLESS STEEL
Aluminum profile	●		●		
End caps	●	●			
Gas casings	●	●			
Rail(s)				●	
Tube(s)					●

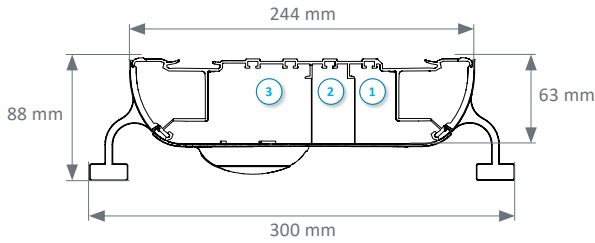


The accessory mounting rails or tubes can accommodate several pieces of biomedical equipment including tray and drawer units. Their loading capacity is 100 kg.

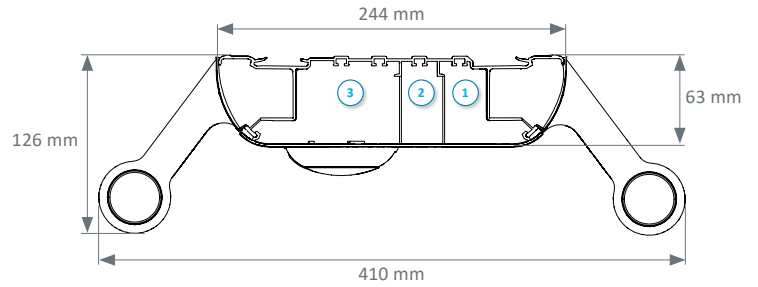
TECHNICAL CHARACTERISTICS

Cross-section

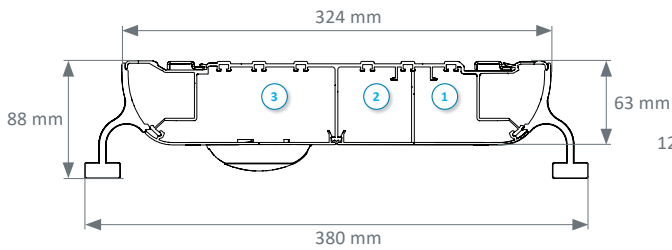
Fluidys Mono (Rails)



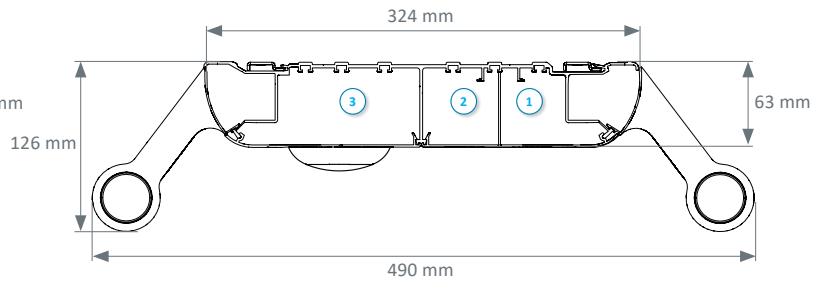
Fluidys Mono (Tubes)



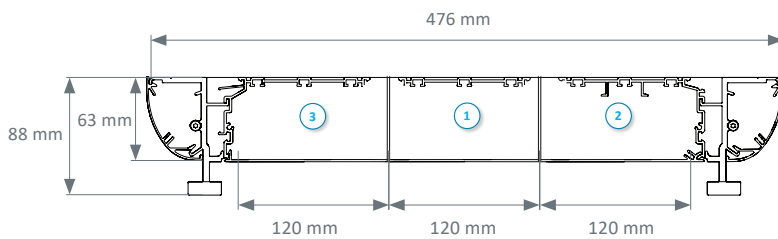
Fluidys Duo (Rails)



Fluidys Duo (Tubes)



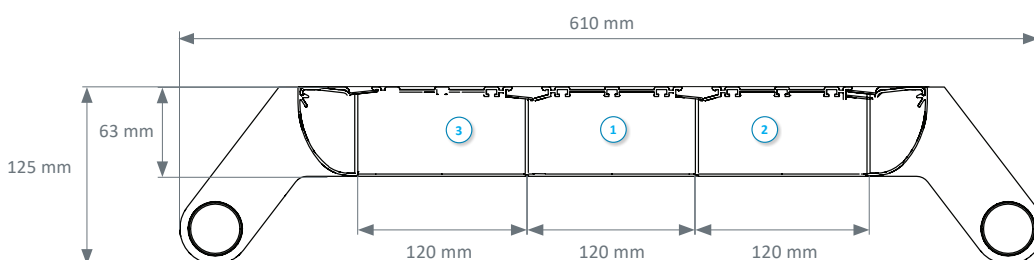
Fluidys 3 x 120



- ① Extra low voltage compartment
- ② Low voltage compartment
- ③ Medical gas compartment

The Fluidys is available with monobloc or multi-profiles. Look at the various configurations offered on page 4.

Fluidys 3 x 120 with tubes



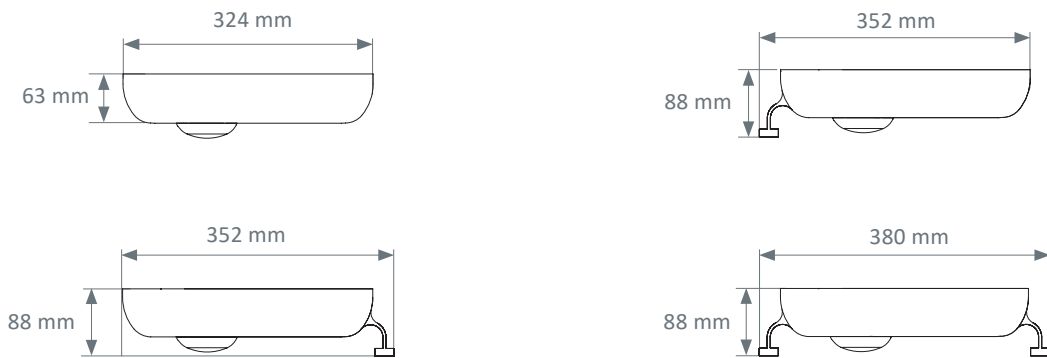
CONFIGURATIONS

Configuration examples

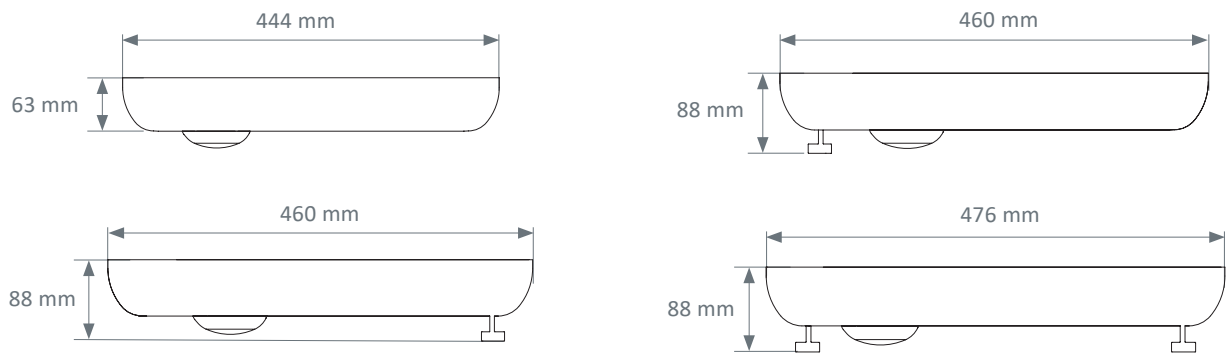
Fluidys Mono



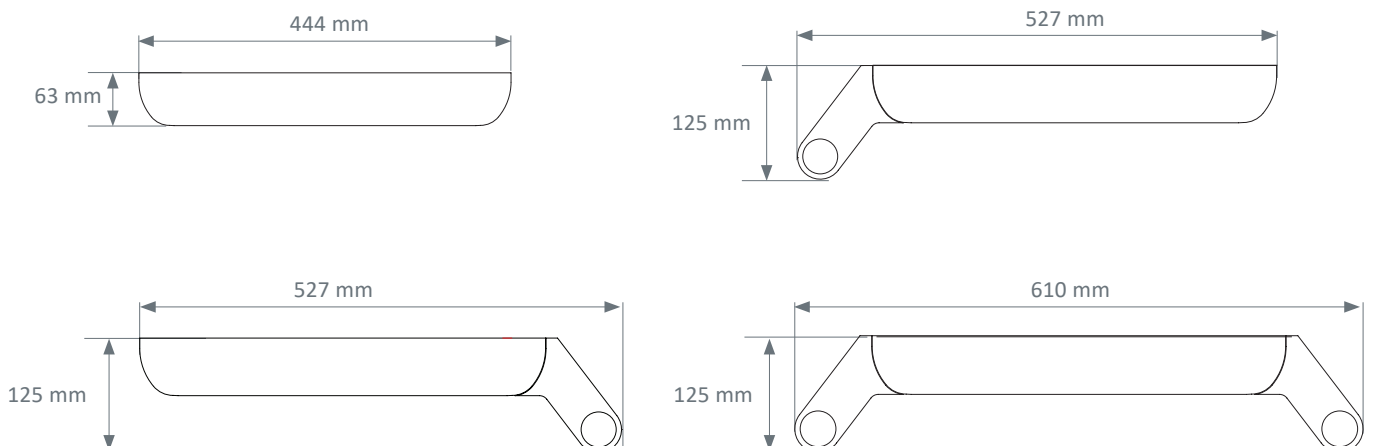
Fluidys Duo



Fluidys 3 x 120



Fluidys 3 x 120 with or without tubes



EQUIPMENT

Tray(s) and drawer(s)

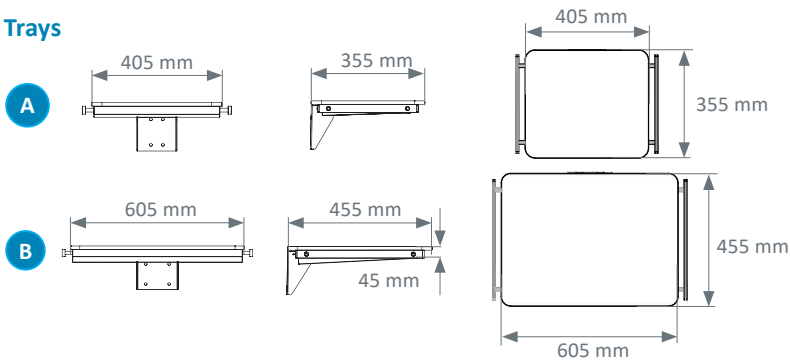
The trays are designed to comply with the strictest standards concerning hygiene and durability. Their surface is made of compact material with white core (HPL). The tray/drawer units can accommodate one or two drawers made of antibacterial Kydex. The drawers are removable for easy cleaning.

Rail(s) & tube(s)

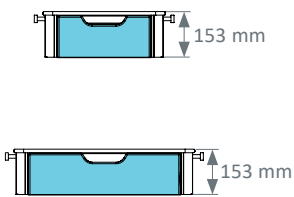
The accessory mounting rails or tubes can accommodate several pieces of biomedical equipment including tray and drawer units. Their loading capacity is 100 kg.

	TRAY DIMENSIONS	MAX. LOAD
A	405 x 355 mm	40 kg
B	605 x 455 mm	60 kg

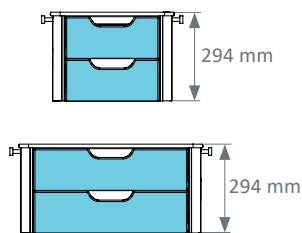
Trays



One drawer



Two drawers



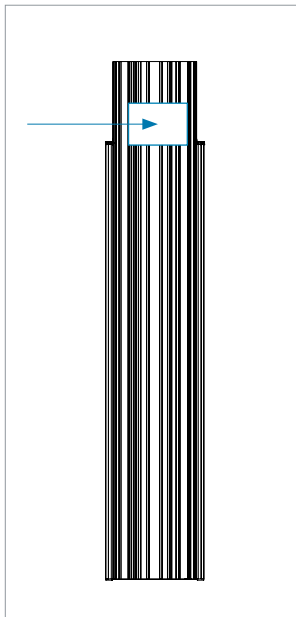
FUNCTIONALITY

The Fluidys is perfect for intensive care units or recovery rooms and makes it possible to work in more compact treatment areas.

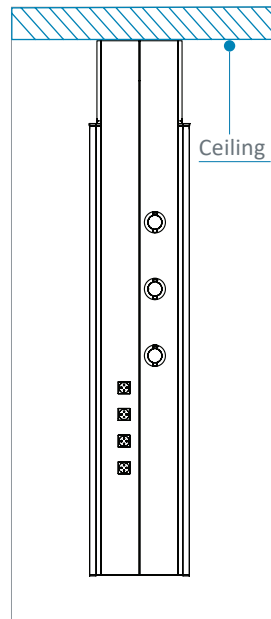
Power supply

Fluidys is designed to be fed:

From behind, via a cut-out at the back of the bed head unit



From the ceiling



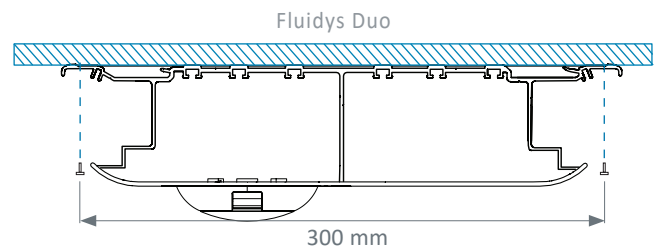
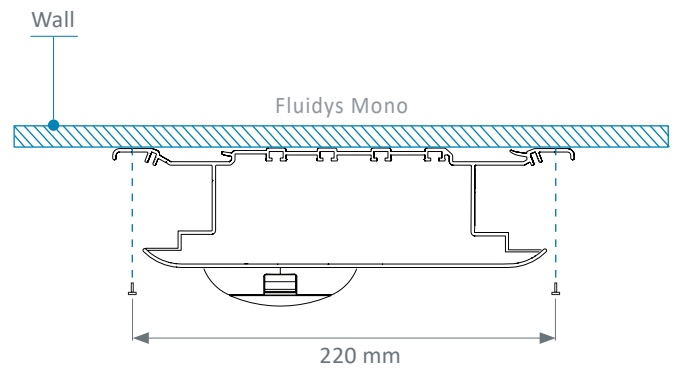
Integration of electrical equipment

The waterjet cutting of the FLUIDYS cover enables exact and customized cutting. It can integrate all forms of outlets. Flush mounting of electrical equipment enables easier cleaning and disinfection of the product.



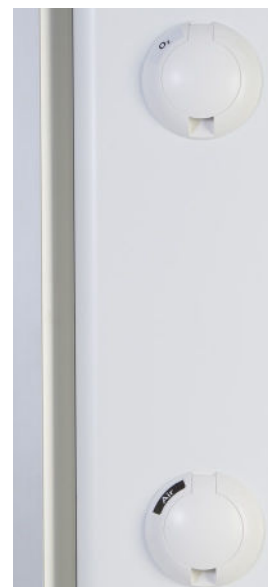
Installation

The Fluidys is quick and easy to install thanks to its screw-mounting system via the back of the strip.



Integration of gases

For AFNOR gas outlets, ABS/PC medical gas casing are available with cover (A). For any other outlet standard, there are no medical gas casing (B).



Norms & certifications

- EN ISO 13485: Quality management systems
- CE Medical Devices Marking according to 93/42/EEC Directive
- EN ISO 11197: Medical supply units
- EN ISO 7396-1: Medical gas pipeline systems - Part 1

Bed head units, Wall lighting units, Ceiling pendants, Suspended Beams & Columns,
Special care bed head units, Sealed lightings, Medical gas monitoring & Biomedical Accessories

