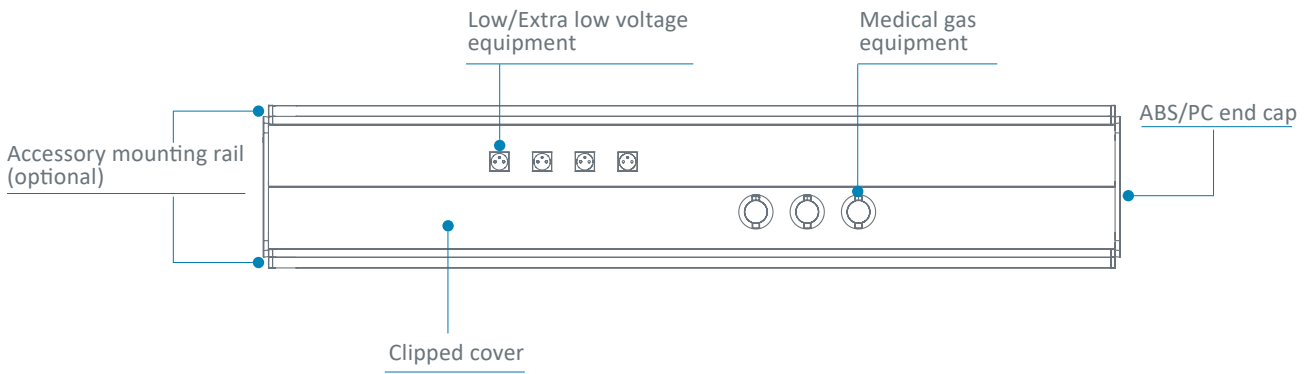


FLUIDYS (HORIZONTAL MOUNTING)



TECHNICAL CHARACTERISTICS

Front view



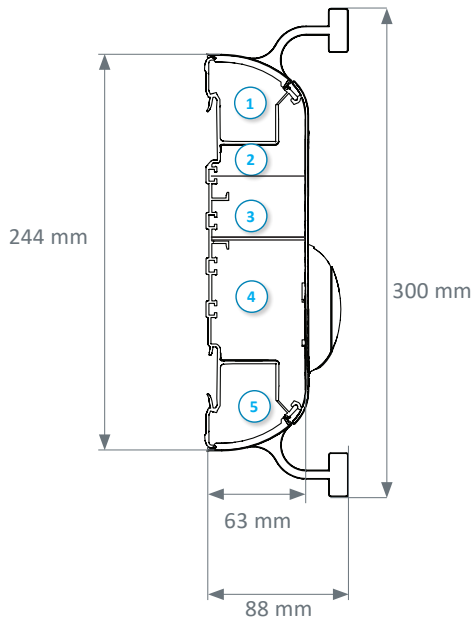
Colors

	White RAL 9016	Grey RAL 7040	Grey RAL 9006	Anodized
Aluminum profile	●		●	
End caps	●	●		
Gas casing	●	●		
Rail(s)				●

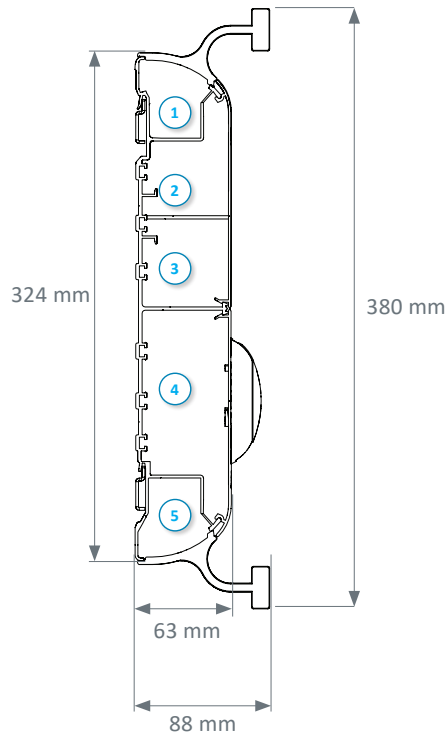


Cross-section

Fluidys Mono

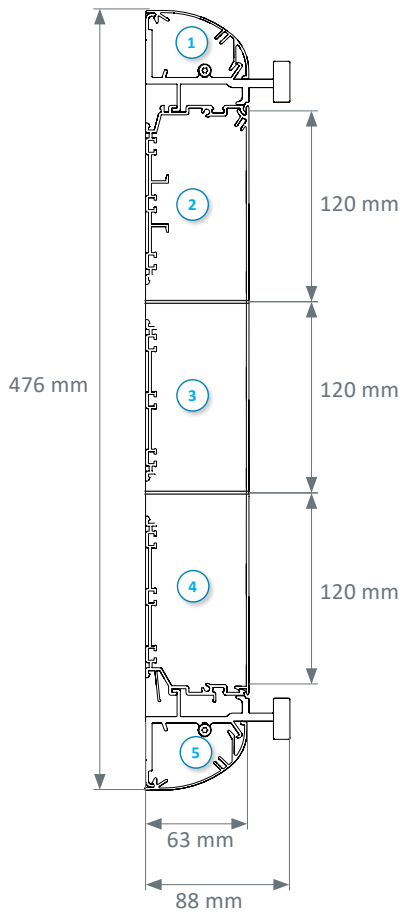


Fluidys Duo

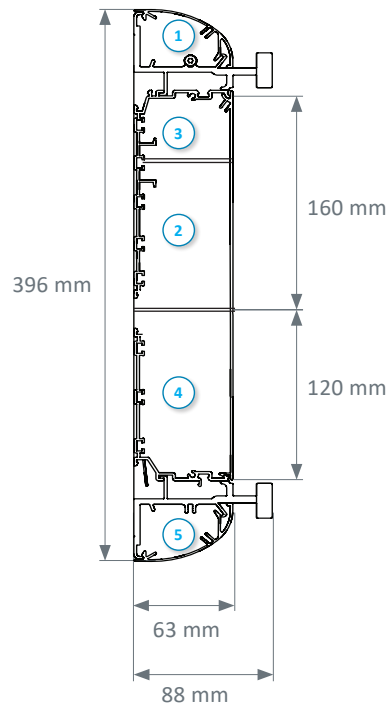


- ① General lighting compartment
- ② Extra low voltage compartment
- ③ Low voltage compartment
- ④ Medical gas compartment
- ⑤ Reading lighting compartment

Fluidys 3 x 120



Fluidys 160 + 120

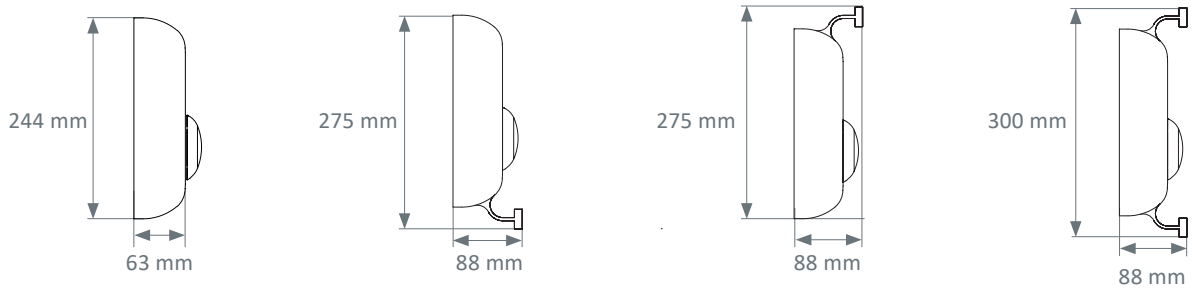


The Fluidys is available with monobloc or multiprofiles. Look at the various configurations offered on page 4.

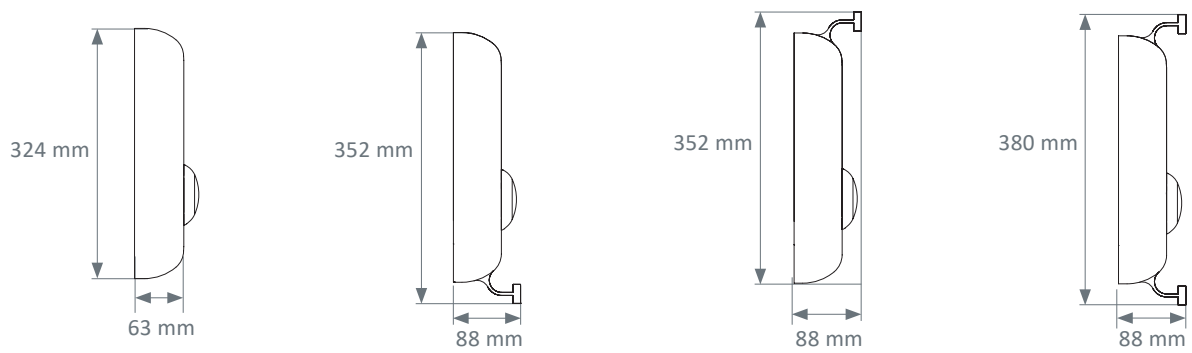
CONFIGURATIONS

Configuration examples

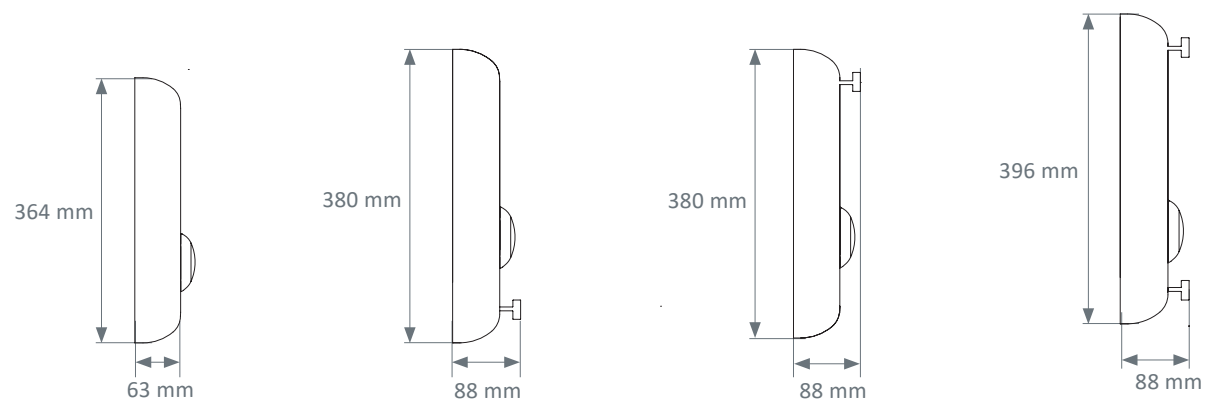
Fluidys Mono*



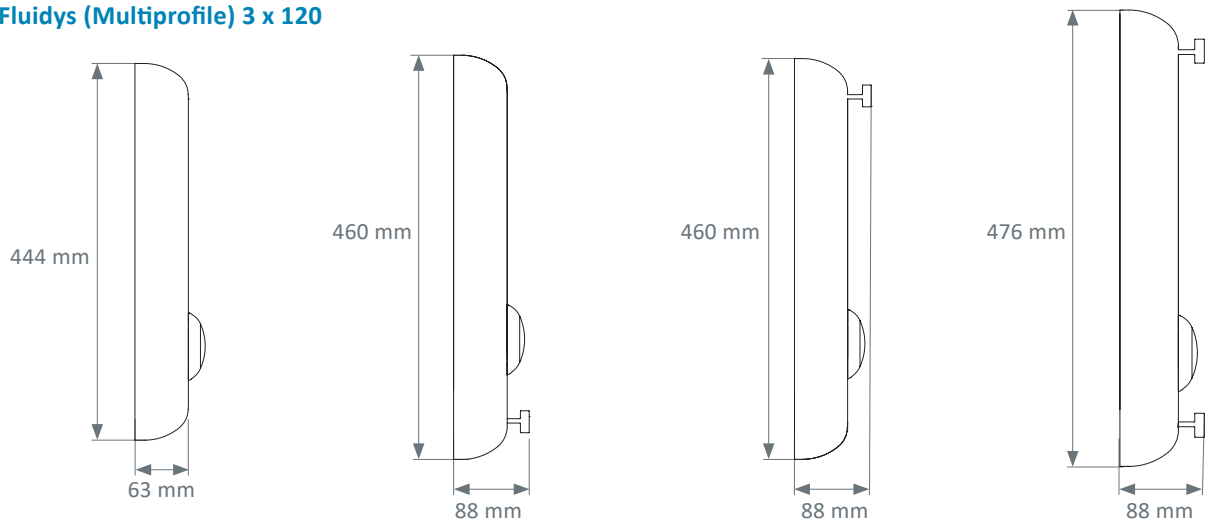
Fluidys Duo *



Fluidys (Multiprofile) 160 + 120



Fluidys (Multiprofile) 3 x 120



* In case of integrated light, when the unit has an upper and/or lower rail, the rails can not be continuous.

EQUIPMENT

Rail(s)

The accessory mounting rails can accommodate several pieces of biomedical equipment. Loading capacity: upper rail 50 kg /m and lower rail 20 kg /m.

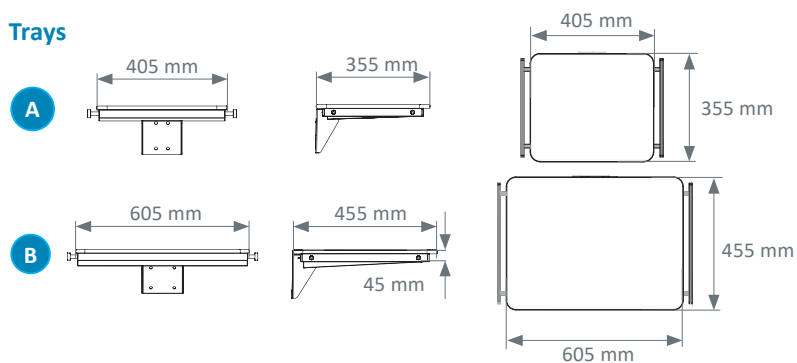
Trolley(s)

The sliding trolleys with \varnothing 38 mm stainless steel tubes are used to carry shelves and drawers with a loading capacity of 90 kg.

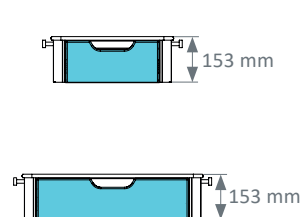
Tray(s) and drawer(s)

The trays are designed to comply with the strictest standards concerning hygiene and durability. Their surface is made of compact material with white core (HPL). The tray/drawer units can accommodate one or two drawers made of antibacterial Kydex. The drawers are removable for easy cleaning.

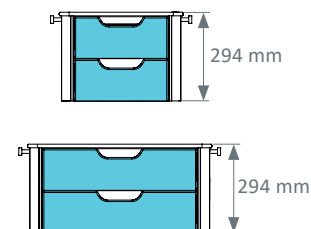
Trays



One drawer



Two drawers



	TRAY DIMENSIONS	MAX. LOAD
A	405 x 355 mm	40 kg
B	605 x 455 mm	60 kg

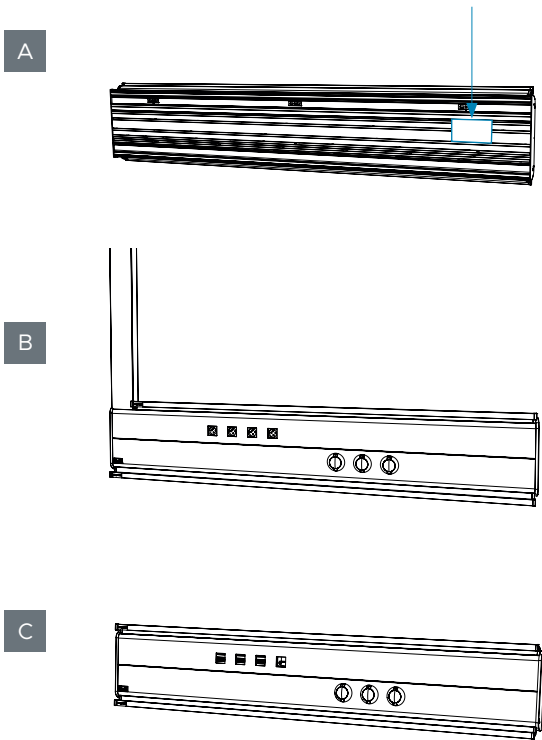


The Fluidys special care bed head unit was designed to be ergonomic and user-friendly for healthcare professionals. It is perfect for intensive care units or recovery rooms.

Power supply

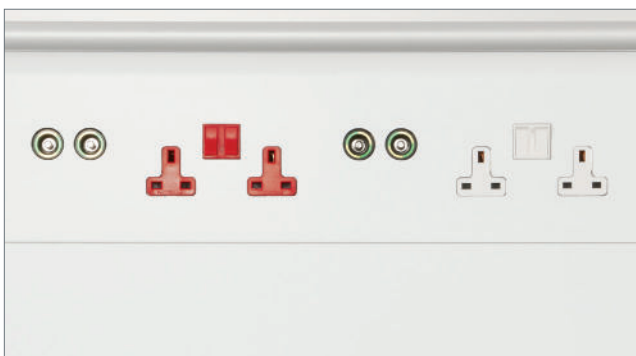
Fluidys is designed to be fed:

- From behind (A)
- From the ceiling, via a distribution duct (B)
- From the side (C)



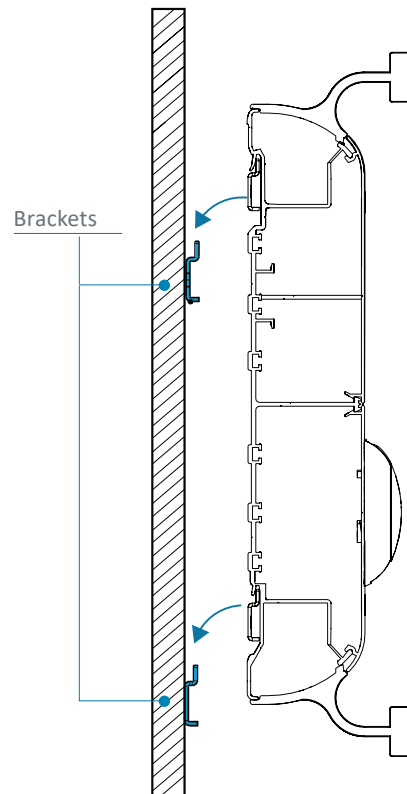
Integration of electrical equipment

The waterjet cutting of the FLUIDYS cover enables exact and customized cutting. It can integrate all forms of outlets. Flush mounting of electrical equipment enables easier cleaning and disinfection of the product.



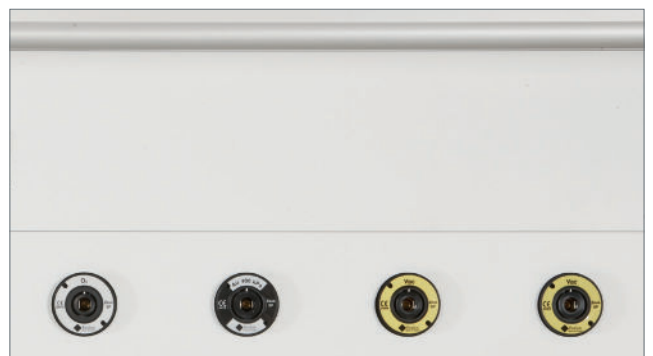
Installation

The wall-mounting system and the simplicity of the locking system save a great deal of installation time.



Integration of gases

For AFNOR gas outlets, ABS/PC medical gas casing are available with c over (A). For any other outlet standard, there are no medical gas casing (B).



CONTROLLED LIGHTING

The FLUIDYS horizontal special care bed head unit allows the option of integrating indirect and/or direct lighting, with or without rail.

High-performance and controlled lighting:

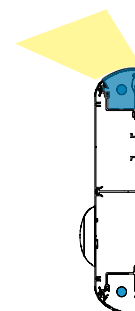
The high-performance reflectors in the background and reading light units offer high efficiency and direct the light towards the middle of the room and onto the reading surface.

Comfortable lighting:

The general and reading lights are less likely to dazzle the patient, medical personnel, or visitors, because the sources are not directly visible.

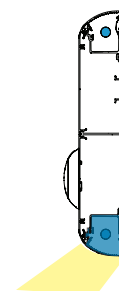
General lighting

- Extruded polycarbonate diffuser
- MIRO 20 SILVER® aluminum reflector



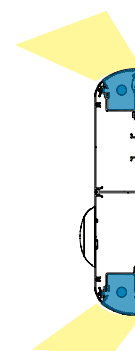
Reading lighting

- Extruded polycarbonate diffuser
- MIRO 20 SILVER® aluminum reflector



Caring lighting

Caring lighting combines direct (reading) lighting with indirect (general) lighting.



Lighting power

Lighting	Modules power	Types of sources	Color temperature	Luminous Flux ⁽¹⁾	Consumption	System Efficiency	Driver(s)
General lighting	35,9 W (4 Ft)	LED	3000 K 4000 K	5965 lm	42,2 W	141,4 lm/W	Fixed / DALI
	44,3 W (5 Ft)	LED	3000 K 4000 K	7390 lm	51,1 W	143,6 lm/W	Fixed / DALI
General lighting (Dynamic lighting)	54,8 W (5 Ft)	LED	2700 K to 6500 K	7300 lm	62,4 W	117 lm/W	DALI
Reading lighting	16,1 W (2 Ft)	LED	3000 K 4000 K	2581 lm	19,8 W	130,5 lm/W	Fixed / DALI
Night light	1 x 3,1 W	LED	3000 K	335 lm	4,9 W	68,1 lm/W	Fixed

⁽¹⁾ All the luminous flux indicated in the brochure are based on the flux of the LED modules also known as system flux.

Luminaire output flux = (Module flux) x (optical efficiency), the optical efficiency of the luminaire is indicated in the Eulumdat file (LDT line 23) available for download on our website or on request.



Norms & certifications

- EN ISO 9001 and EN ISO 13485: Quality management systems
- CE Medical Devices Marking according to 93/42/EEC Directive
- EN ISO 11197: Medical supply units
- EN ISO 7396-1: Medical gas pipeline systems - Part 1
- European rules for caring centers lighting

Bed head units, Wall lighting units, Ceiling pendants, Suspended Beams & Columns,
Special care bed head units, Sealed lightings, Medical gas monitoring & Biomedical Accessories

