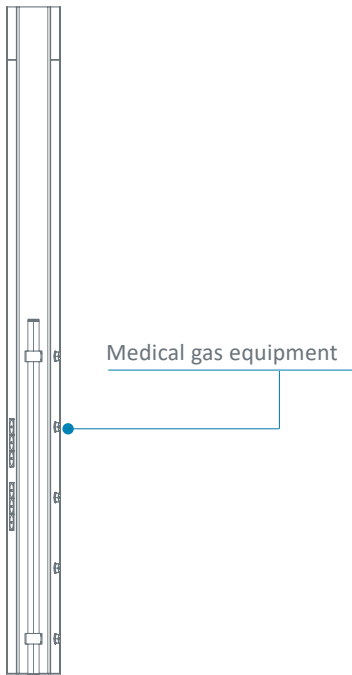


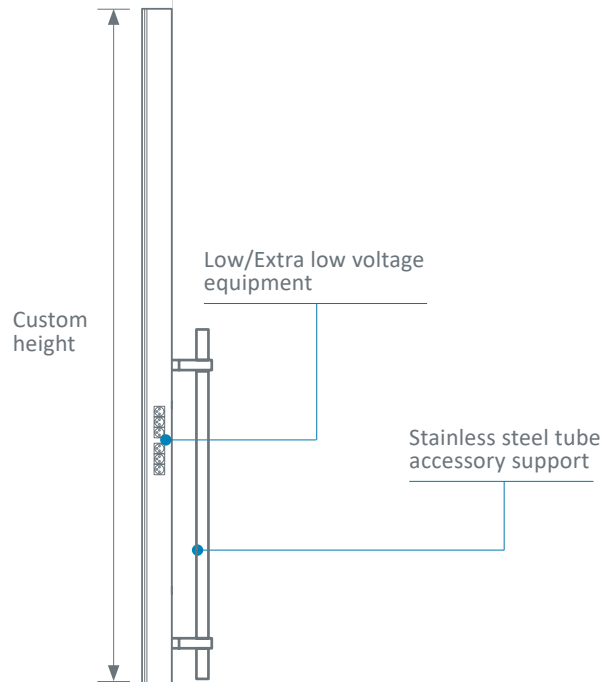


TECHNICAL CHARACTERISTICS

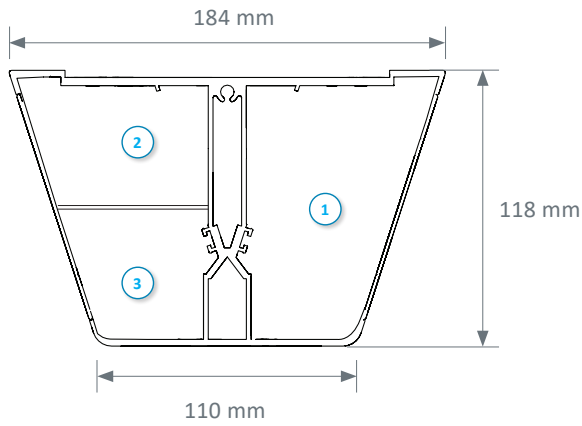
Front view



Side view



Cross-section



- ① Medical gas compartment
- ② Low voltage compartment
- ③ Extra low voltage compartment

Colors

White
RAL 9016

SIMPLE-CARE

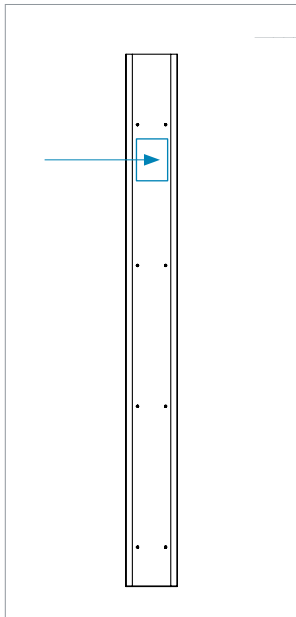


The SIMPLE CARE special care bed head unit offers many possible options for integrating electrical and medical gas equipment.

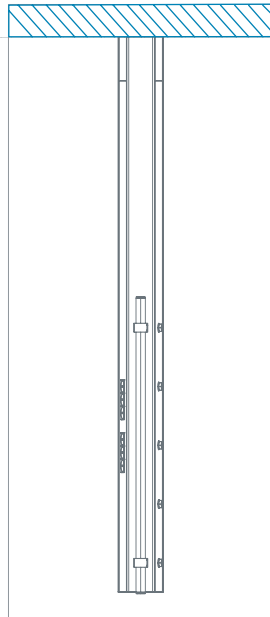
Supplies

SIMPLE CARE is designed to be fed:

From behind, via a cut-out at the back of the bed head unit

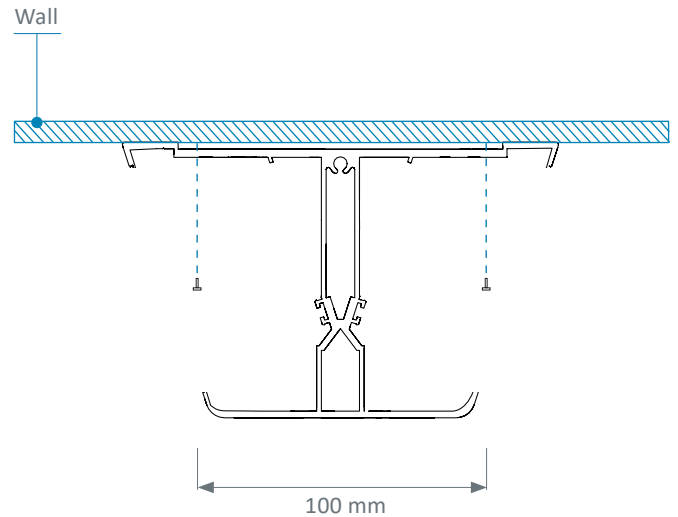


From the ceiling



Installation

The SIMPLE CARE is quick and easy to install thanks to its screw-mounting system via the back of the strip.



Integration of electrical equipment

The SIMPLE CARE is cut by water jet, providing a precise, tailor-made finish so that sockets of any shape can be built into it. Electrical devices are flush-mounted, for easy cleaning and disinfection of the product.

Medical gas casing

For AFNOR gas outlets, ABS/PC medical gas casing are available with cover. For any other standard, there are no gas casing.



Equipment

The profile may be equipped, if necessary, with a stainless steel tube $\varnothing 38 \times 1000 \text{ mm}$ accessory support on the front panel, to mount biomedical accessories and/or tray/drawer units with up to 100 kg payload.



Lighting

Combined with a wall-mounted lighting unit from the TLV range, the SIMPLE-CARE provides a comfortable, high-performance lighting solution to help to the well-being of patients and healthcare professionals.

The vertical unit can optionally be equipped with:

An examination lamp on articulated arm

LED night light built into the bottom fitting.





Norms & certifications

- EN ISO 13485: Quality management systems
- CE Medical Devices Marking according to 93/42/EEC Directive
- EN ISO 11197: Medical supply units
- EN ISO 7396-1: Medical gas pipeline systems - Part 1

Bed head units, Wall lighting units, Ceiling pendants, Suspended Beams & Columns,
Special care bed head units, Sealed lightings, Medical gas monitoring & Biomedical Accessories

