



+ Design & Ergonomics

SILEA's equipment and accessories are within easy reach for users. Its smooth surfaces and soft shapes make it easy to clean and disinfect.

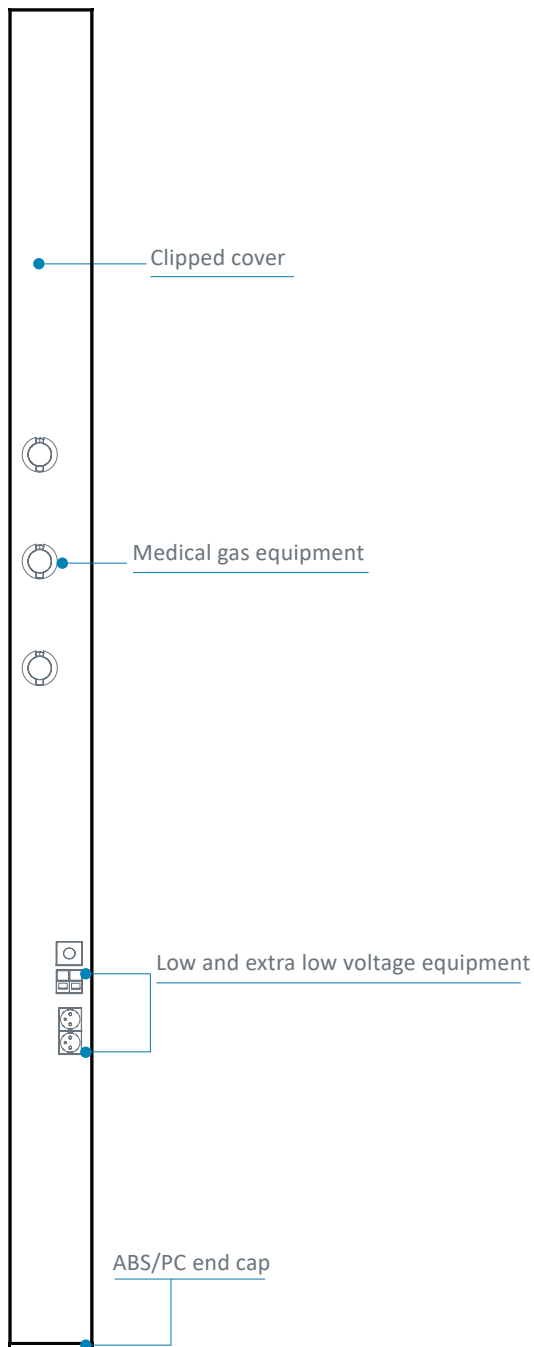
+ Medical gas casing

These easy-clean panels provide protection. They are securely fastened to the cover, for easy installation and maintenance.

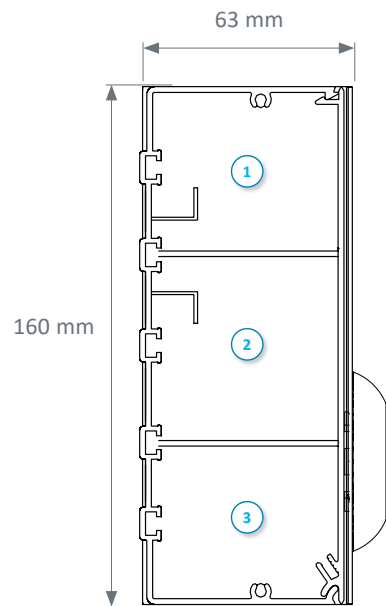


TECHNICAL FEATURES

Front view



Cross-section



- ① Extra low voltage compartment
- ② Low voltage compartment
- ③ Medical gas compartment

Colours

	White RAL 9016	Grey RAL 9006	Grey RAL 7040
Aluminum profile	●	●	
Medical gas casing	●		●
End caps	●		●

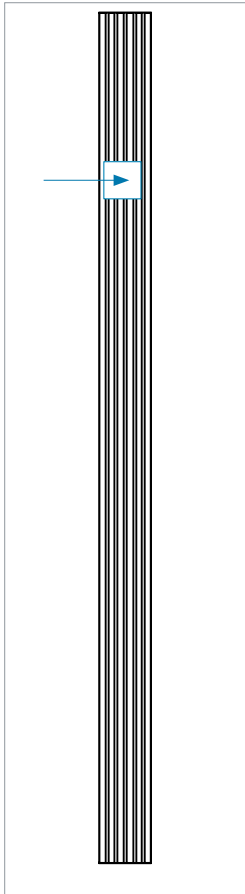
FUNCTIONALITY

The SILEA offers many possible options for integrating electrical and medical fluid equipment.

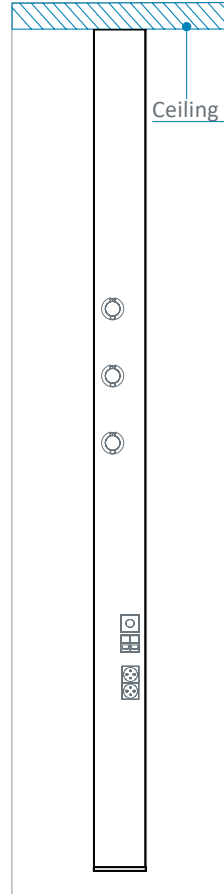
Supplies

SILEA is designed to be fed:

From behind, via a cut-out at the back of the bed head unit

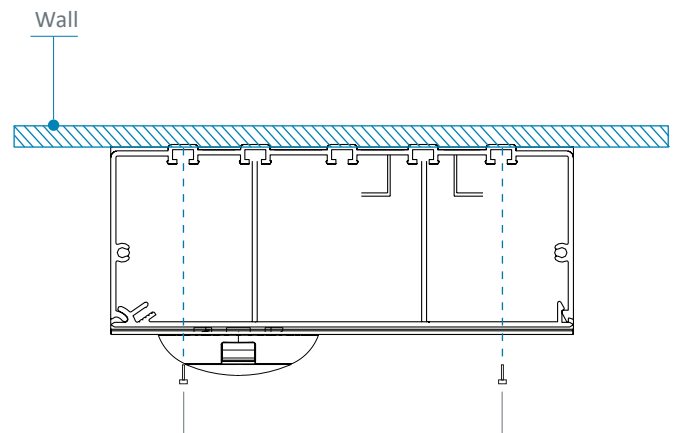


From the ceiling



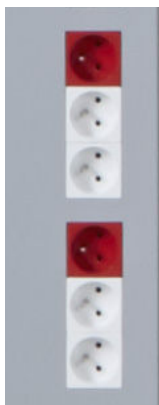
Installation

Quick and easy to install, thanks to its screw-mounting system via the back of the bed head unit.



Electrical equipment integration

The waterjet cutting of the SILEA's cover enables exact and customized cutting. It can integrate all forms of outlets. Flush mounting of electrical equipment enables easier cleaning and disinfection of the product.



Integration of medical gas

For AFNOR gas outlets, ABS/PC medical gas casings are available with flap. For any other outlet standard, there are no gas casings.



Norms & certifications

- EN ISO 13485: Quality management systems
- CE Medical Devices Marking according to 93/42/EEC Directive
- EN ISO 11197: Medical supply units
- EN ISO 7396-1: Medical gas pipeline systems - Part 1

Bed head units, Wall lighting units, Ceiling pendants, Suspended Beams & Columns,
Special care bed head units, Sealed lightings, Medical gas monitoring & Biomedical Accessories

