

HI-BEAM

LED

Dynamic Lighting



Registered design

### + Design & Ergonomie

The HI-BEAM bed head unit features an innovative aesthetic design. Its curved shape is unique in the market.

### + LED

LED sources of HI-BEAM bed head unit provide excellent energy performance.

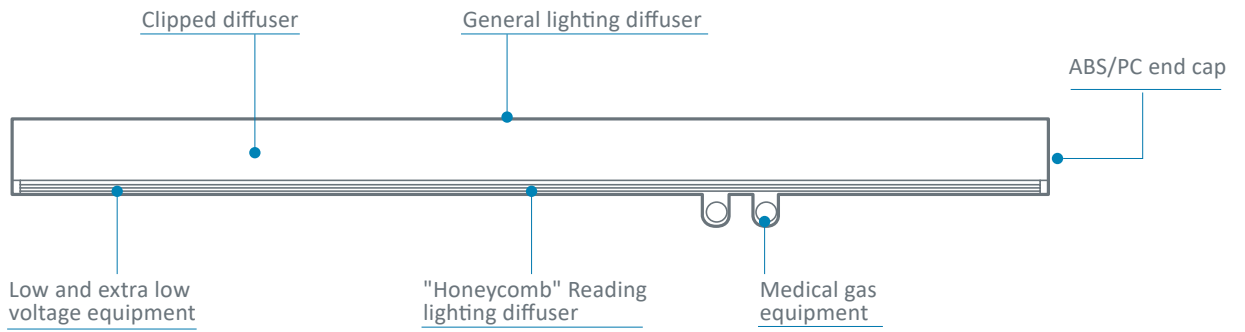
### + Medical gas casing

Gas casing are available with or without cap. They are perfectly integrated into the design of the bed head unit, with easy access for the care team.



# TECHNICAL FEATURES

## Front view



## Cross-section



## Colours

	White RAL 9016	Grey RAL 7035	Grey RAL 7004	Grey RAL 9006	Black RAL 7022	Bronze
Aluminum profile	●			●		●
Medical gas casing	●		●		●	
Caps	●		●			
End caps	●	●			●	

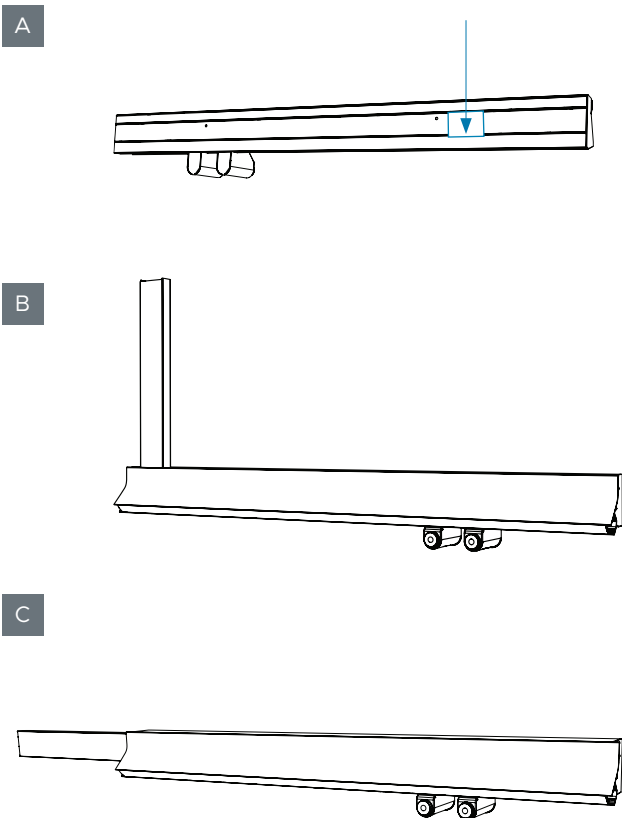
## FUNCTIONALITY

The HI-BEAM is a custom product offering an innovative, ultra-modern design. With its unique shape, it blends perfectly into normal care rooms.

### Power supply

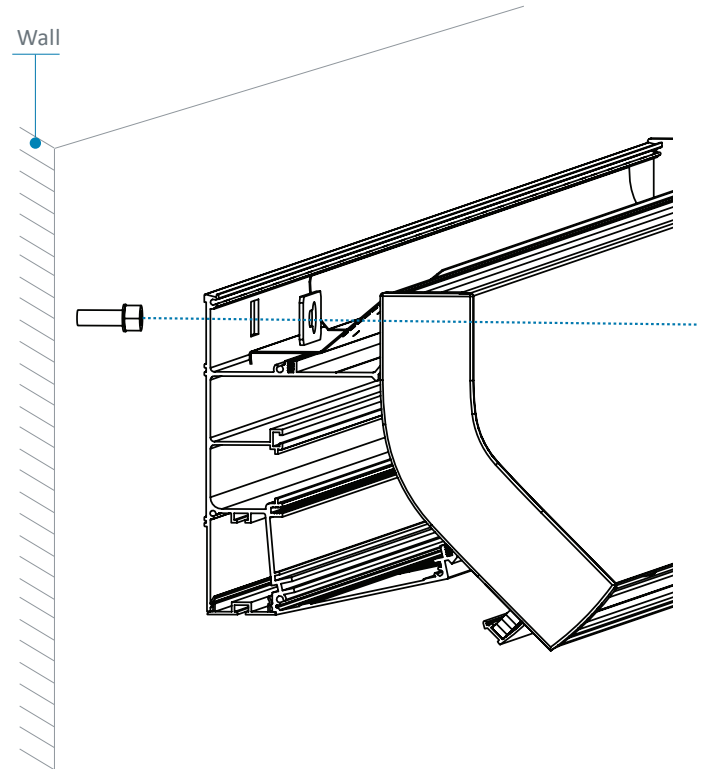
HI-BEAM is designed to be fed:

- From behind, via a cut-out at the back of the bed head unit (A)
- From the ceiling, by a riser (B)
- From the side (C)



### Installation

The HI-BEAM is quick and easy to install thanks to its screw-mounting system via the back of the bed head unit.



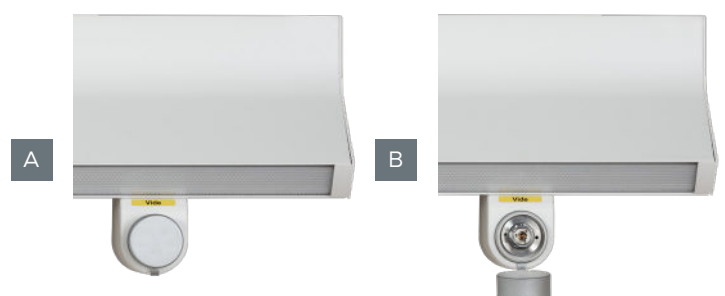
### Electrical equipment integration

The waterjet cutting of the HI-BEAM's cover enables exact and customized cutting. It can integrate all forms of outlets. Flush mounting of electrical equipment enables easier cleaning and disinfection of the product.



### Medical gas casing

The ABS / PC medical gas casings, available with flap (A) or without flap (B), enable the integration of all gas outlet types (e.g.: AFNOR, DIN, BS, etc.).



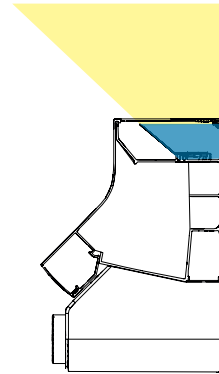
## CONTROLLED LIGHTING

---

The HI-BEAM bed head unit incorporates anti-glare reading lighting with honeycomb diffuser. The quality of the light promotes the comfort and well-being of patients and healthcare professionals.

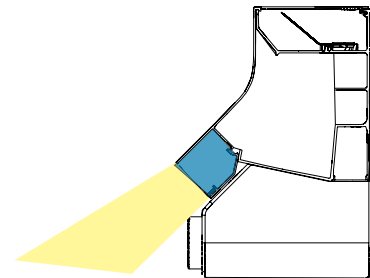
### General lighting

- Extruded clear anti-UV treated polycarbonate diffuser with asymmetric grooves
- MIRO 20 SILVER® aluminum reflector



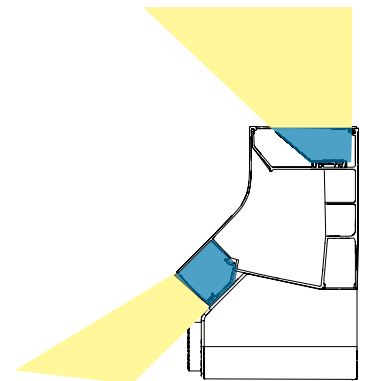
### Reading lighting

- Extruded opal anti-UV treated polycarbonate diffuser with asymmetric grooves
- MIRO 20 SILVER® aluminum reflector



### Caring lighting

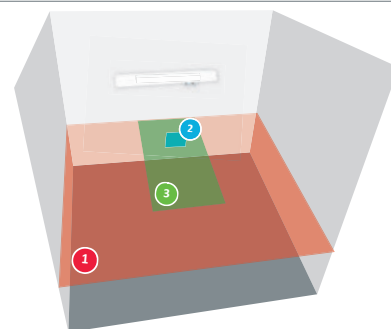
Caring lighting combines direct (reading) lighting with indirect (general) lighting.

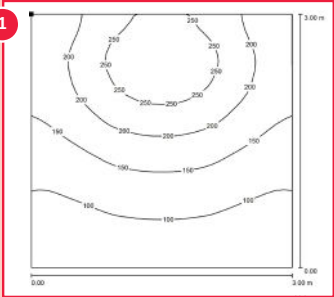
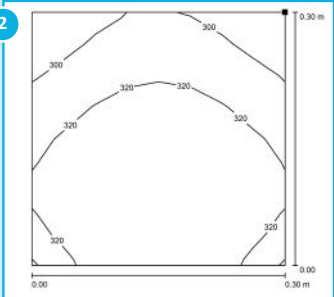
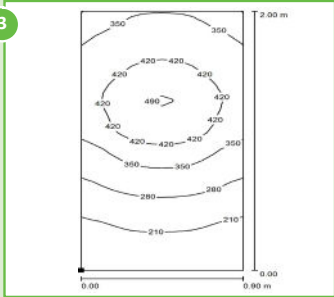


# EFFICIENT LIGHTING

## Lighting study

- Standard room
- Dimensions of the room: 3 m x 3 m, ceiling clearance 2.5 m
- Reflection coefficients: ceiling 7, walls 5, and floor 3
- Coefficient of depreciation 0.83



	<b>General lighting</b> Virtual general lighting plane of a surface equal to the one of the room, located 0.85 m above the floor (3 m x 3 m for a single room).	<b>Reading lighting</b> Virtual reading plane 0.3 m x 0.3 m inclined at 75° located 1.1 m from the floor and 1 m from the wall where the unit is located.	<b>Caring lighting</b> Virtual examination plane 2 m x 0.9 m located 0.85 m from the floor, centred in width and 0.1 m from the wall.
<b>LED</b>	<b>4 ft module</b> 	<b>2 ft module</b> 	<b>General and reading lighting combined</b> 
Consumption	42,2 W	19,8 W	62 W
Average lighting	162 lx	320 lx	334 lx

## Lighting power

Lighting	Modules power	Types of sources	Color temperature	Luminous Flux <sup>(1)</sup>	Consumption	System Efficiency	Driver(s)
General lighting	35,9 W (4 Ft)	LED	3000 K 4000 K	5965 lm	42,2 W	141,4 lm/W	Fixed / DALI
General lighting (Dynamic lighting)	47,2 W (4 Ft)	LED	2700 K to 6500 K	6200 lm	54 W	114,8 lm/W	DALI
Reading lighting	16,1 W (2 Ft)	LED	3000 K 4000 K	2716 lm	19,8 W	137,3 lm/W	Fixed / DALI
Night light	1 x 3,1 W	LED	3000 K	335 lm	4,9 W	68,1 lm/W	Fixed

<sup>(1)</sup> All the luminous flux indicated in the brochure are based on the flux of the LED modules also known as system flux.

Luminaire output flux = (Module flux) x (optical efficiency), the optical efficiency of the luminaire is indicated in the Eulumdat file (LDT line 23) available for download on our website or on request.



## Dynamic Lighting



The HI-BEAM bed head unit is available with dynamic lighting.  
For more information, please read the dedicated brochure.

## Norms & certifications

- EN ISO 13485: Quality management systems
- CE Medical Devices Marking according to 93/42/EEC Directive
- EN ISO 11197: Medical supply units
- EN ISO 7396-1: Medical gas pipeline systems - Part 1
- European rules for caring centers lighting

Bed head units, Wall lighting units, Ceiling pendants, Suspended Beams & Columns,  
Special care bed head units, Sealed lightings, Medical gas monitoring & Biomedical Accessories

