

MULTIDYS AND FLUIDYS RECESSED RANGE



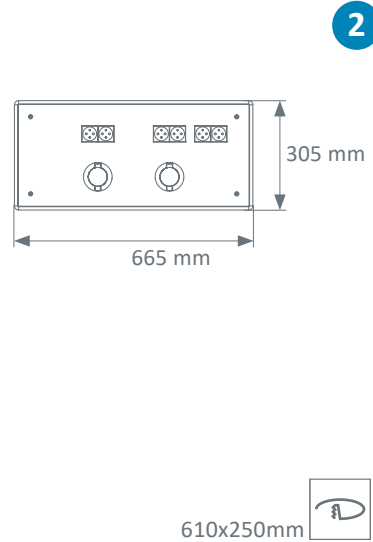
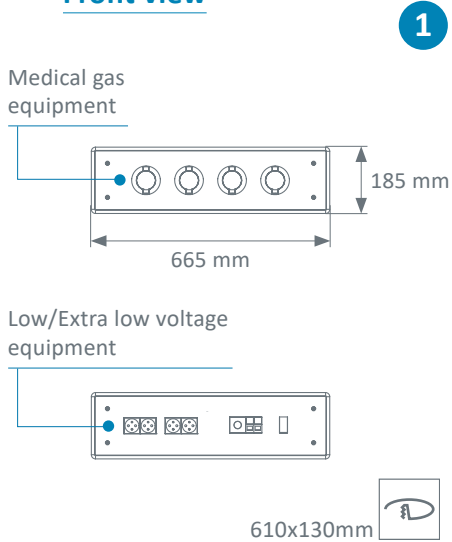
STANDARD HORIZONTAL MULTIDYS BOX

TECHNICAL CHARACTERISTICS

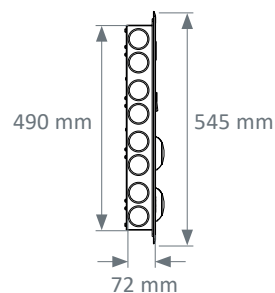
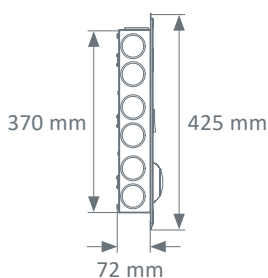
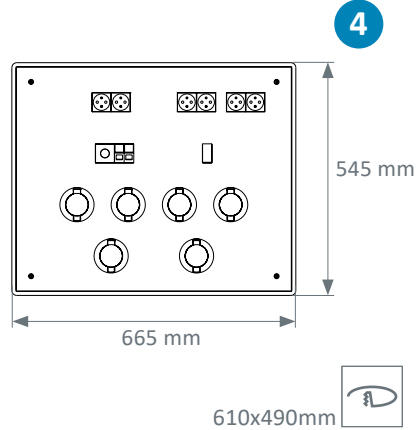
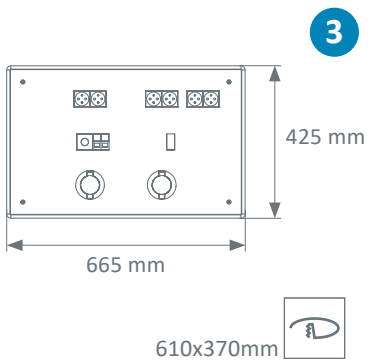
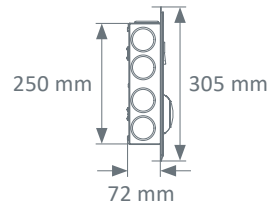
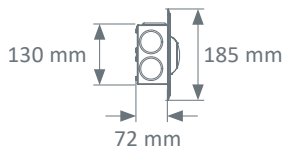
The recessed Multidys solution provides ideally extra low, low voltage and gases. It particularly suits the needs of the caring personnel.

In Operating Theatre this device can be used in addition to the TECH-CARE pendants.

Front view



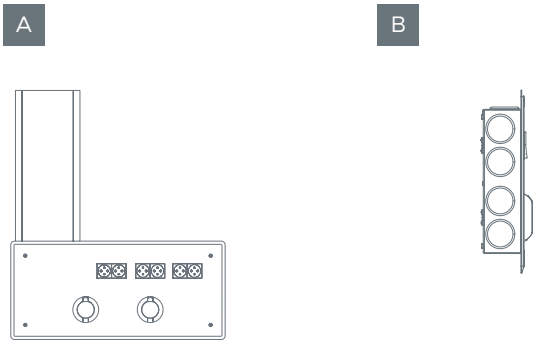
Cross-section



Supplies

MULTIDYS is designed to be fed :

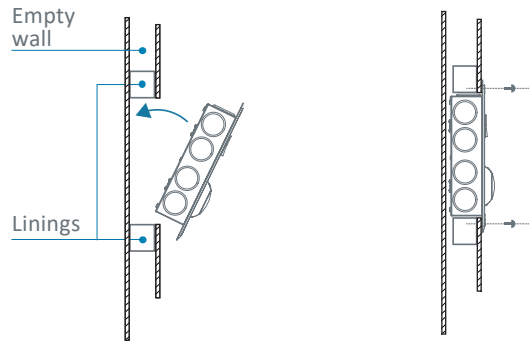
- From the ceiling, via a flush mounted duct (A)
- From the side, via two or three supplies per channels (B)



Installation

Because it is quick and easy to recess into the wall, the bed head unit saves time and labor.

The installation company is required to provide linings on the partition for MULTIDYS installation.



Colors

	WHITE - RAL 9016	GREY - RAL 9006	GREY - RAL 7040
Standard Aluminium cover	●	●	
Medical gas casing (only if French type gas outlets)	●		●

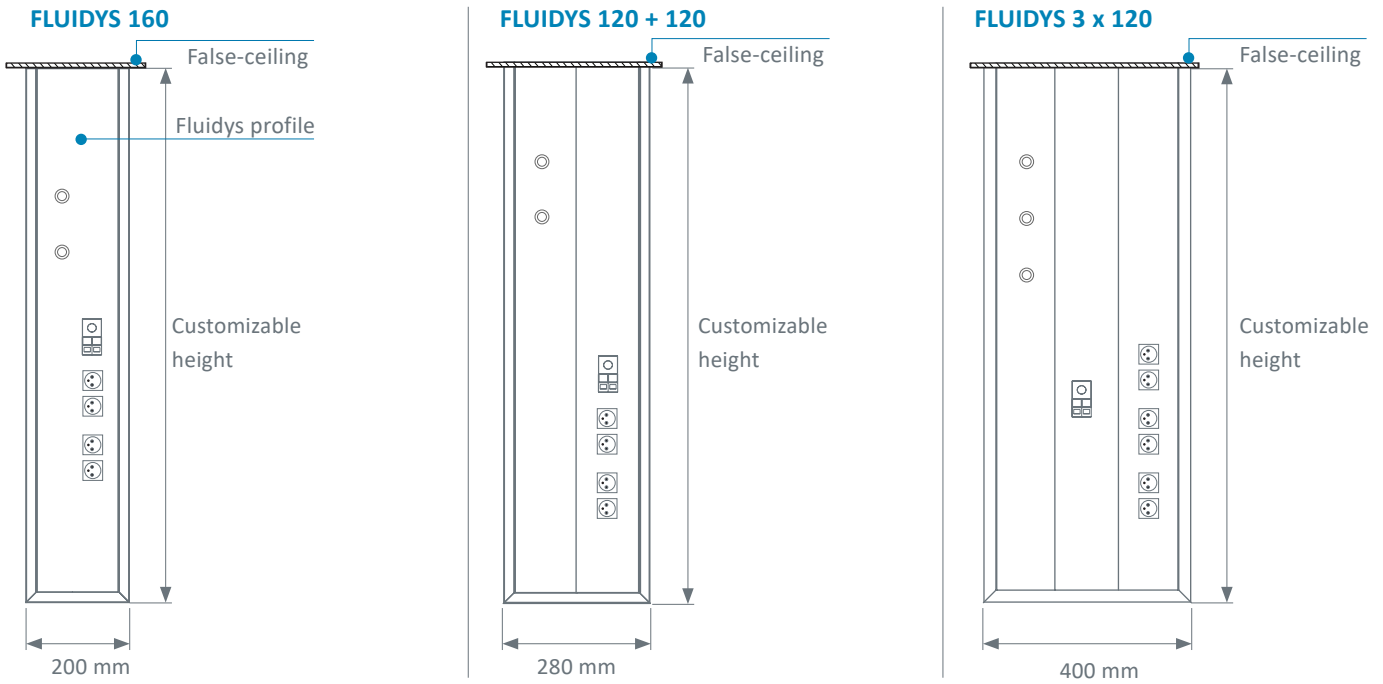




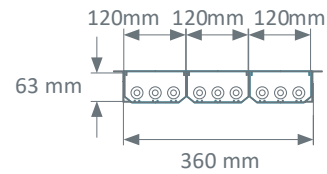
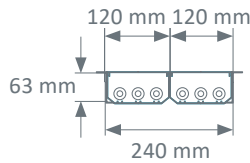
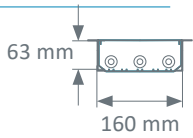
RECESSED FLUIDYS BED HEAD UNIT

TECHNICAL CHARACTERISTICS

All configurations are available in horizontal version

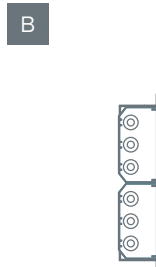
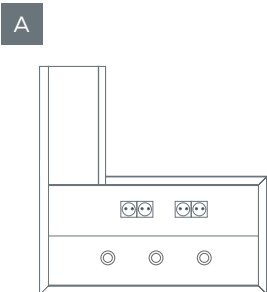


Cross-section



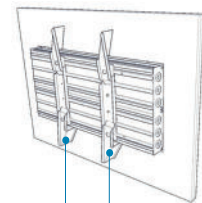
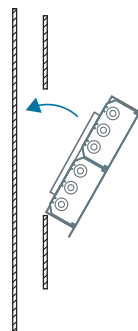
Supplies

- This product is designed to be fed :
- From the ceiling, via a flush mounted duct (A)
 - From the side, via three supplies per channel (B)



Installation

Because it is quick and easy to recess into the wall, the product unit saves time and labor.



Stretcher (optional)

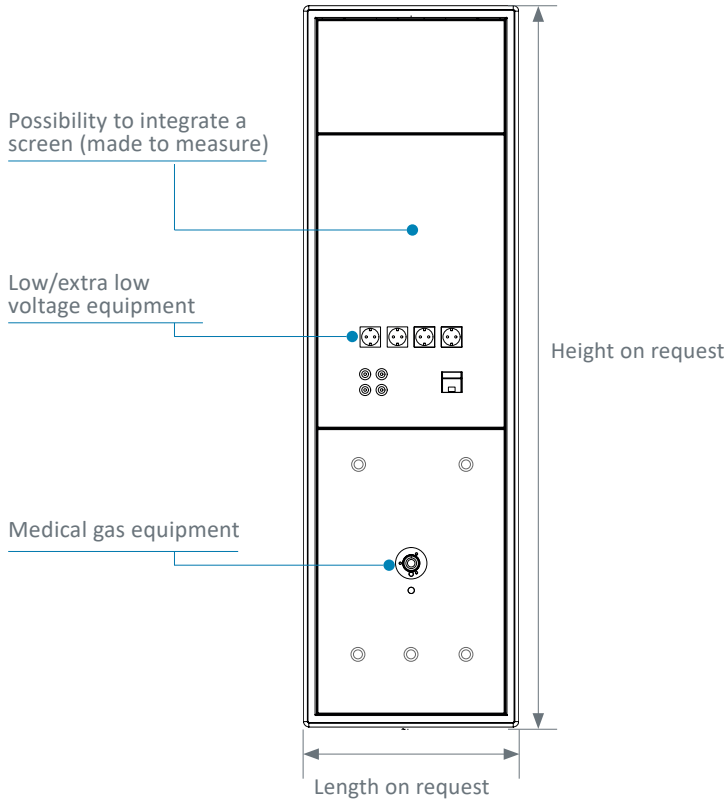
Colors

	WHITE - RAL 9016	GREY - RAL 9006	GREY - RAL 7040
Custom made cover	●	●	
Medical gas casing (French type)	●		●

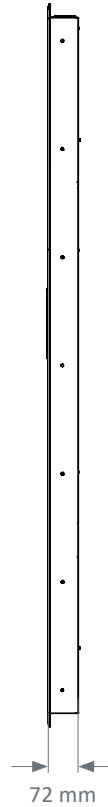


TECHNICAL CHARACTERISTICS

Front view



Side cross-section



Top cross-section

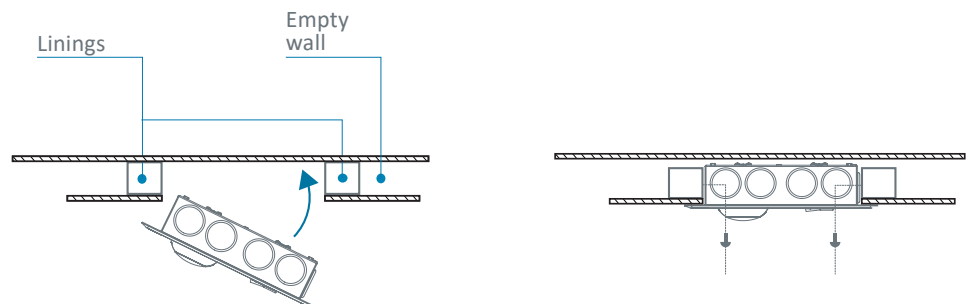


The MULTIDYS panel is made-to-measure. Manufactured in stainless steel or powder coated steel RAL 9016, it enables the distribution of low, extra low voltage and medical gases.

The product is recessed in the partition. For that a minimum depth of 72 mm is required.

Installation

Because it is quick and easy to recess into the wall, this product saves time and labor. The installation company is required to provide linings on the partition for MULTIDYS installation.





Norms & certifications

- EN ISO 13485: Quality management systems
- CE Medical Devices Marking according to 93/42/EEC Directive
- EN ISO 11197: Medical supply units
- EN ISO 7396-1: Medical gas pipeline systems - Part 1

Ceiling pendants, Suspended Beams & Columns, Bed head units / trunkings,
Sealed ceiling lightings, Medical gases monitoring & Biomedical Accessories

