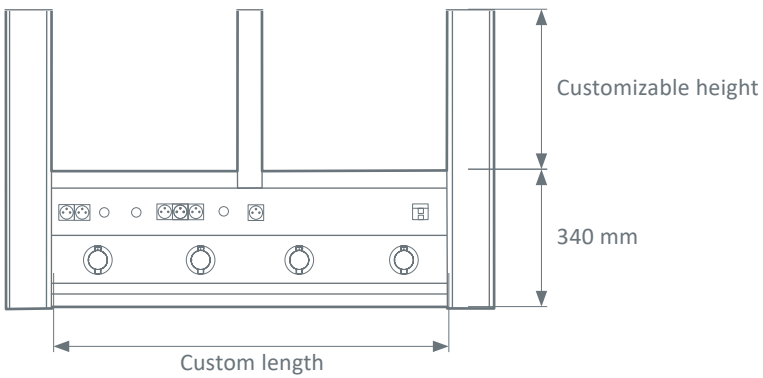
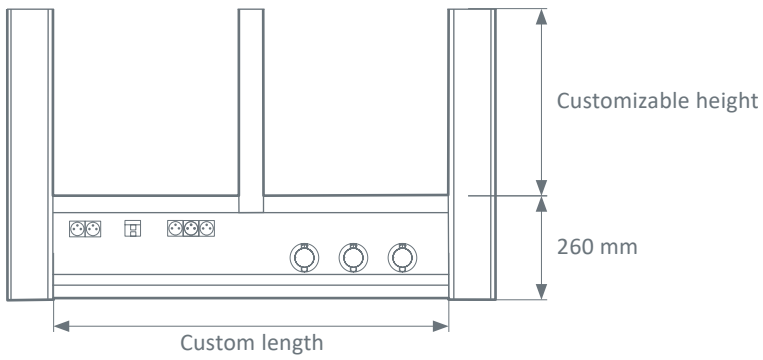




TECHNICAL CHARACTERISTICS

Front view

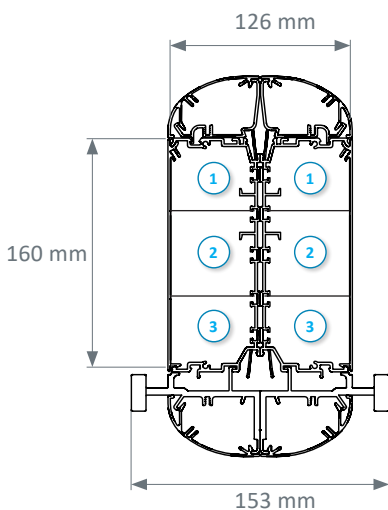


Side view



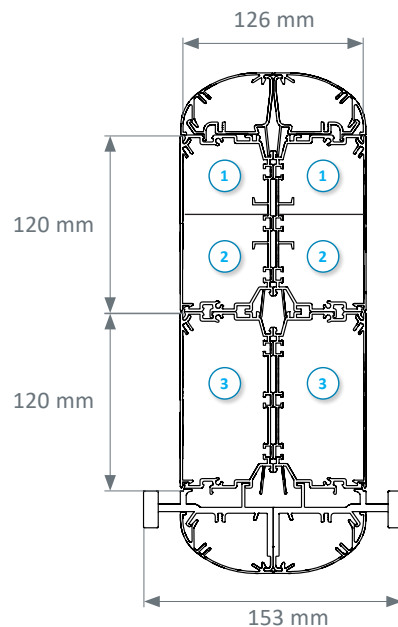
Cross-section

Fluidys 160



- ① Extra low voltage compartment
- ② Low voltage compartment
- ③ Medical gas compartment

Fluidys 120 + 120



Colors

	White RAL 9016	Grey RAL 7040	Anodized
Aluminum profile	●		
Gas casing	●	●	
Rail(s)			●

The FLUIDYS suspended distribution beam is a compact medical device providing all the essential functionality for your emergency room, intensive care, and resuscitation teams.

Integration of electrical equipment

The waterjet cutting of the FLUIDYS cover enables exact and customized cutting. It can integrate all forms of outlets. Flush mounting of electrical equipment enables easier cleaning and disinfection of the product.



Integration of gases

For AFNOR gas outlets, ABS/PC gas casings are available with cover. For any other outlet standard (BS, DIN, etc.), there are no casings.



Rails

The beam will be equipped with a 25x10 mm lower accessory mounting rail along its entire length, at the front and back. This is used to install biomedical accessories and shuttles.

Shuttles

Shuttles are equipped with \varnothing 38 mm stainless steel tubes. They come in a choice of 800 mm or 1500 mm in height, and their payload is 70 kg. They have a rotation lock system that is easily accessible by care personnel via an easy-to-operate handle.



Trays

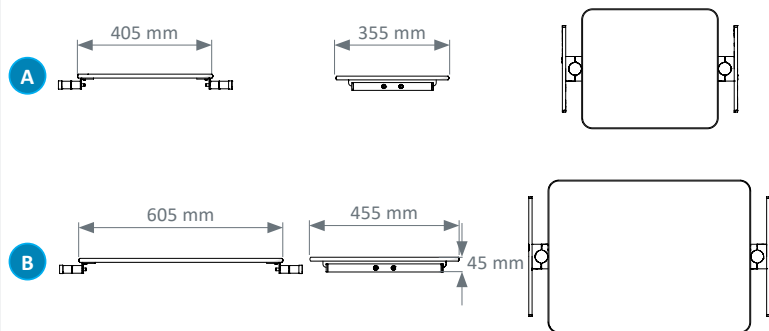
The trays are designed to comply with the strictest standards concerning hygiene and durability. Their surface is made of compact material with white core (HPL).

The tray blocks can accommodate one or two drawers and are adjustable to the height of the shuttle.

Load table

	TRAY DIMENSION	LOAD MAX
A	405 x 355 mm	40 kg
B	605 x 455 mm	60 kg

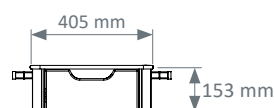
Trays



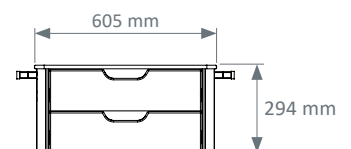
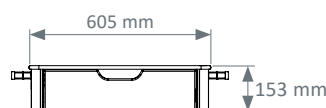
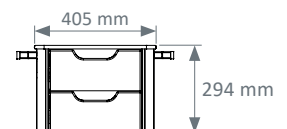
Drawers

The drawers are available under the shelves with either removable antibacterial white ABS cladding or a compact white finish with invisible runners and soft-close mechanism to close the drawer quietly and keep it in the closed position.

One drawer



Two drawers



Lighting

FLUIDYS has high-performance, comfortable, controlled lighting. It provides efficient general, reading, and caring lighting. The optics allow optimum control of the lighting, favouring the well-being of care teams and patients.

TECHNICAL SPECIFICATIONS

Material	160 mm aluminum profile or two 120 mm profiles
Ceiling mounting	Special design for each building Additional drop leg: every 2500 mm
Suspended beam	Custom length (up to 5000 mm in single profile) Recommended clearance under beam: 1700 mm
Equipment mount	One 25 x 10 horizontal rail or two rails (on either side)
Indirect lighting	LED : 7093 lumens (5ft)
Direct lighting	LED : 2581 lumens (2ft)
Night light	LED : 350 lumens

Norms & certifications

- EN ISO 13485: Quality management systems
- CE Medical Devices Marking according to the (EU) Rules 2017/745
- EN ISO 11197: Medical supply units
- EN ISO 7396-1: Medical gas pipeline systems - Part 1
- European rules for caring centers lighting

Bed head units, Wall lighting units, Ceiling pendants, Suspended Beams & Columns,
Special care bed head units, Sealed lightings, Medical gas monitoring & Biomedical Accessories

